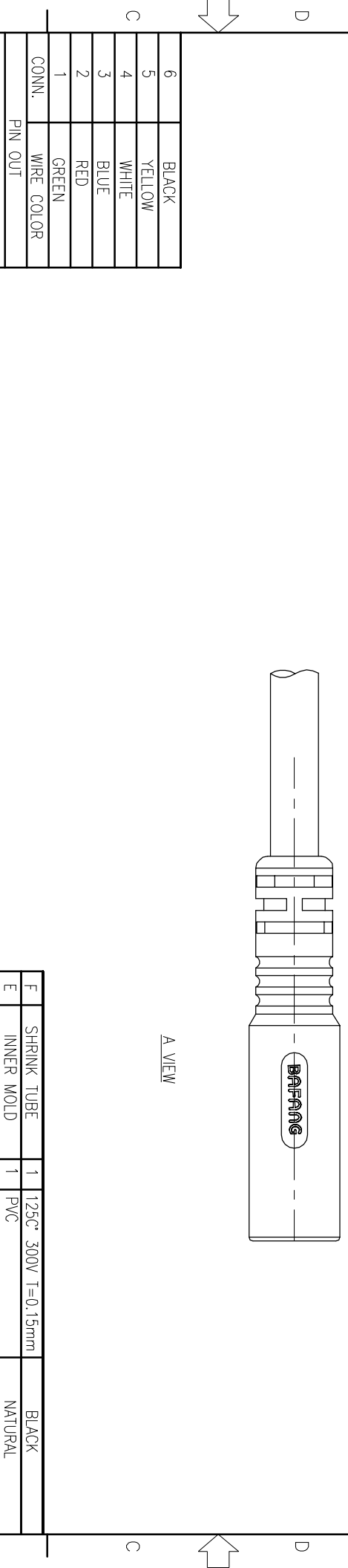
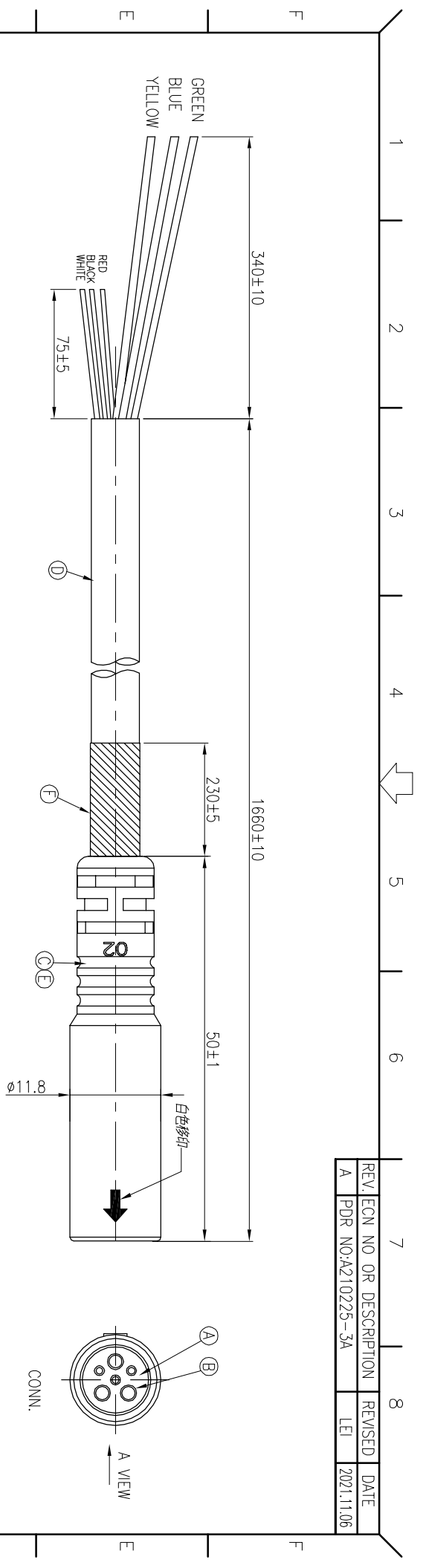
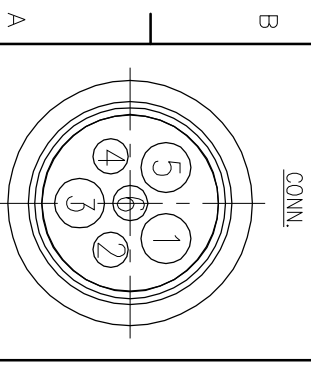


REV	ECN NO	OR DESCRIPTION	REVISED	DATE
A	PDR NO:A210225-3A		LEI	2021.11.06



CONN.	WIRE COLOR
1	GREEN
2	RED
3	BLUE
4	WHITE
5	YELLOW
6	BLACK



- NOTES:
1. WATERPROOF RATE: IP65
 2. CURRENT RATING: POWER PIN 10A
SIGNAL PIN 2A
 3. CONTACT RESISTANCE: 3 Ohm Max.
 4. HI-POT TEST 800V AC, 5mA(1SEC)
 5. INSULATION RESISTANCE: 30Mohm MIN. BY 500V DC
 6. SPECIFICATIONS:SEE "E-BIKE SERIES SPECIFICATIONS"
 7. TO CONFORM TO THE SINGATRON HAZARDOUS SUBSTANCE FREE SPEC.
 8. GREEN PRODUCT IDENTIFICATION LABEL ON PACKAGING: **RoHS PASS**

A VIEW

NO	DESCRIPTION	QTY	MATERIAL	PLATING & COLOR
A	BODY	1	PA66	BLACK
B	FEMALE PIN	6	Phosphor Bronze	1~3u" GOLD PLATING OVER NICKEL PLATING
C	OVER MOLD	1	TPU	BLACK
D	CABLE	1	1.2mm*3C+0.2mm*3C 005.6	BLACK(PVC JACKET)
E	INNER MOLD	1	PVC	NATURAL
F	SHRINK TUBE	1	125C° 300V T=0.15mm	BLACK

DECIMALS:	ANGLES:
X :±0.5	X :±2°
X.X :±0.3	X.X :±1°
X.XX :±0.2	

TITLE	SCALE	UNIT	SHEET	REV
E-BIKE SERIES 180° 6 PIN FEMALE CONN.	2:1	mm	1 OF 1	A

CUSTOMER COPY