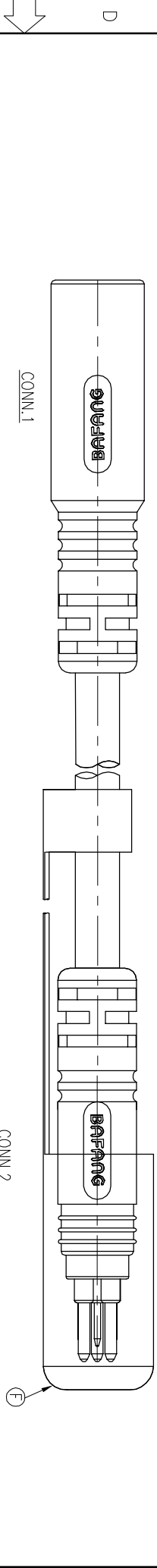
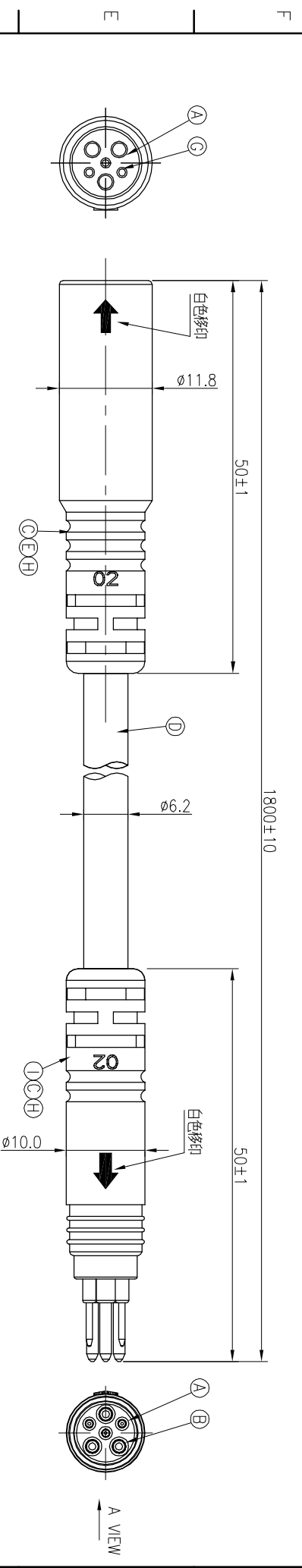
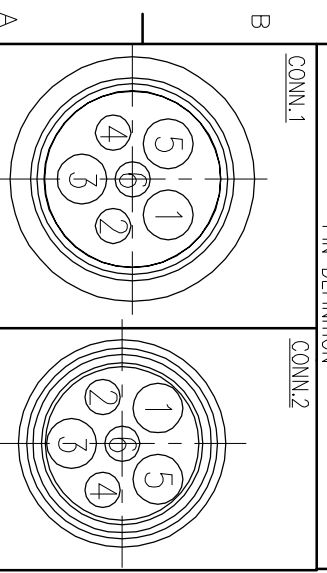


REV	ECN NO	OR DESCRIPTION	REVISED	DATE
A	PDR	NO.:A220210-2A	LEI	2022.05.07



6	BLACK	6
5	YELLOW	5
4	WHITE	4
3	BLUE	3
2	RED	2
1	GREEN	1
CONN.1 WIRE COLOR		CONN.2
PIN DEFINITION		
CONN.1		CONN.2



Pin Assignments
Front View

NOTES:

1. WATERPROOF RATE: IP65
2. CURRENT RATING: POWER PIN 10A
SIGNAL PIN 2A
3. CONTACT RESISTANCE: 3 Ohm Max.
4. HI-POT TEST 800V AC, 5mA(1SEC)
5. INSULATION RESISTANCE: 30Mohm MIN. BY 500V DC
6. SPECIFICATIONS:SEE "E-BIKE SERIES SPECIFICATIONS."
7. TO CONFORM TO THE SINGATRON HAZARDOUS SUBSTANCE FREE SPEC.
8. GREEN PRODUCT IDENTIFICATION LABEL ON PACKAGING:

1 2 3 4 5 6 7 8

I	INNER MOLD	1	ABS	NATURAL
H	HEAT SHRINK TUBE	6	ø1.5mm 300V	BLACK
G	FEMALE PIN	6	Phosphor Bronze	1~3u" GOLD PLATING OVER NICKEL PLATING
F	CAP	1	PA66	NATURAL
E	INNER MOLD	1	PVC	BLACK
D	CABLE	1	1.5mm*3C+0.2mm*3C	BLACK(PVC JACKET)
C	OVER MOLD	2	TPU	BLACK
B	MALE PIN	6	Phosphor Bronze	1~3u" GOLD PLATING OVER NICKEL PLATING
A	BODY	2	PA66+GF	BLACK
NO DESCRIPTION		QTY	MATERIAL	PLATING & COLOR
UNLESS OTHERWISE SPECIFIED TOLERANCES				
Suzhou Singatron Auto Electronics CO.,LTD. 蘇州信誼汽車電子有限公司				
TITLE E-BIKE SERIES 180" 6 PIN CONW.				
DWN	LEI	PART NO.	2EB3004-W06981H	
CHKD	Jun	SCALE	2:1 UNIT: mm	
APVD	Steve	SIZE: A3	SHEET: 1 OF 1	REV: A
CUSTOMER COPY				