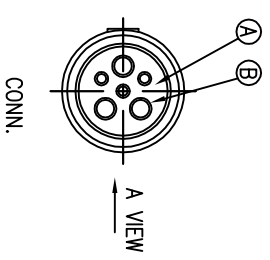
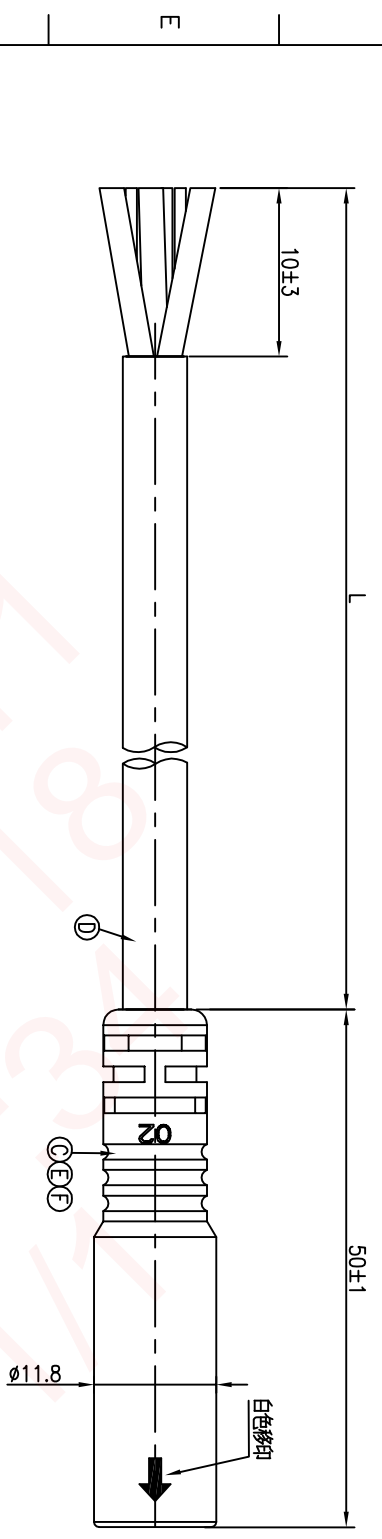
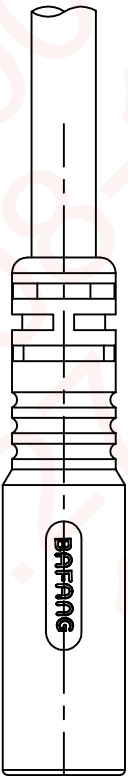


REV.	ECN NO.	OR DESCRIPTION	REVISED	DATE
A	PDR NO.:S120704-8M~8P	Harlen		2012.12.21
B	ECN NO.: S130860	Harlen		2013.9.3
C	ECN NO.:S140336	Harlen		2014.3.25
D	ECN NO.:S151212-C	Vicky		2016.03.16
E	ECN NO.:S160801-R	Yang		2016.08.01

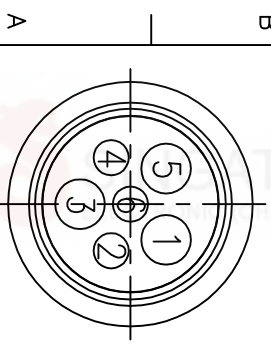


P/N	L
2EB3004-W06906H	500±10
2EB3004-W06907H	1000±10
2EB3004-W06908H	1500±10
2EB3004-W06909H	2000±10
2EB3004-W06910H	1800±10
6	BLACK
5	YELLOW
4	WHITE
3	BLUE
2	RED
1	GREEN
CONN.	WIRE COLOR
	PIN OUT
	CONN.



A VIEW

CONN.	WIRE COLOR
1	GREEN
2	RED
3	BLUE
4	WHITE
5	YELLOW
6	BLACK
	PIN OUT
	CONN.



Pin Assignments
Front View

- NOTES:
1. WATERPROOF RATE: IP65
 2. CURRENT RATING: 10A+2A
 3. CONTACT RESISTANCE: 3 Ohm Max.
 4. HI-POT TEST 800V AC, 5mA(1SEC)
 5. INSULATION RESISTANCE: 30Mohm MIN. BY 500V DC
 6. SPECIFICATIONS:SEE "E-BIKE SERIES SPECIFICATIONS"
 7. TO CONFORM TO THE SINGATRON HAZARDOUS SUBSTANCE FREE SPEC.
 8. GREEN PRODUCT IDENTIFICATION LABEL ON PACKAGING: RoHS PASS

F	SHRINK TUBE	3	Ø1.5mm 300V	BLACK
E	INNER MOLD	1	PVC	NATURAL
D	CABLE	1	16#*3C+24#*3C OD6.2	BLACK(PVC JACKET)
C	OVER MOLD	1	HYTREL	BLACK
B	FEMALE PIN	6	Phosphor Bronze	1~3u" GOLD PLATING OVER NICKEL PLATING
A	BODY	1	PA66+30%GF	BLACK
NO	DESCRIPTION		MATERIAL	PLATING & COLOR

UNLESS OTHERWISE SPECIFIED TOLERANCES

SINGATRON Enterprise Co., Ltd.
信音企業股份有限公司

DECIMALS:	ANGLES:
X :±0.5	X :±2
X.X :±0.3	X.X :±1
X.XX :±0.2	

TITLE	E-BIKE SERIES 180° 6 PIN FEMALE CONN.
DWN	Yang
CHKD	JF
APVD	Harlen
PART NO.	2EB3004-W06908H~10H
SCALE	2:1
UNIT	mm
SIZE	A3
SHEET	1 OF 1
REV	JF

CUSTOMER COPY