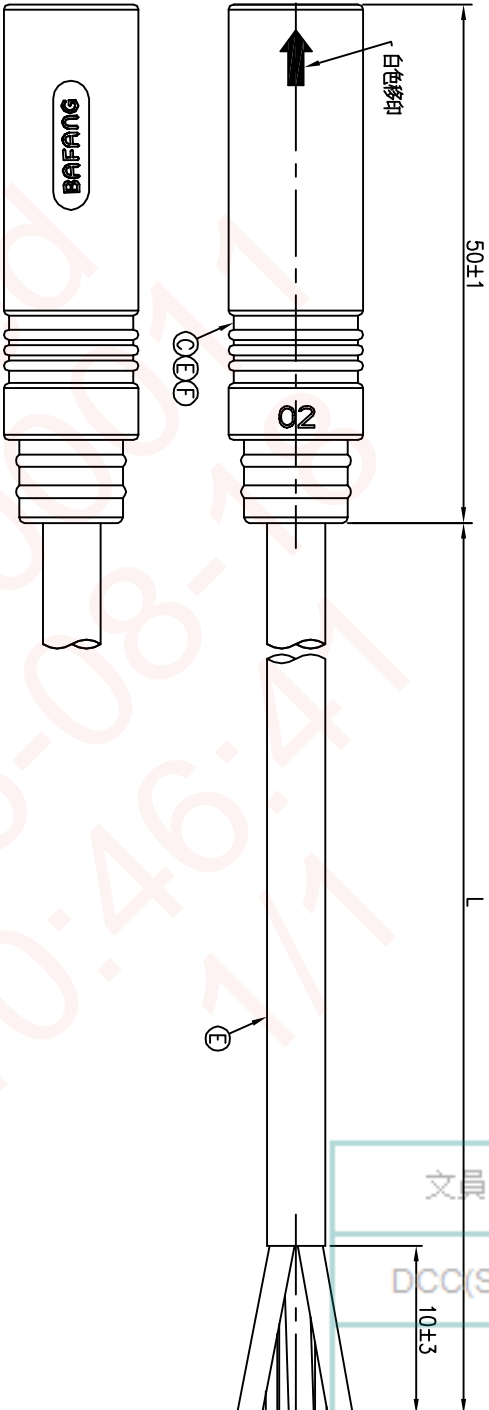
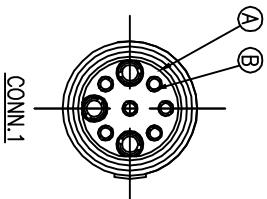


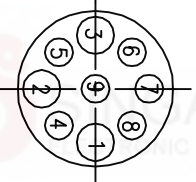
REV.	ECN NO.	OR DESCRIPTION	REVISED	DATE
A	PDR NO.:S140820-8A&B		Vicky	2014.09.23
B	ECN NO.:S151212-C		Vicky	2016.03.17
C	ECN NO.:S160801-R		Vicky	2016.08.01

文島
DCC(SZ)
10±3
陳環環
2016/08/17
15:41:38



P/N	L
2EB3004-W09715H	700±10
2EB3004-W09716H	800±10

9	BLACK
8	RED
7	BLUE
6	YELLOW
5	GREEN
4	WHITE
3	GREEN(16#)
2	BLUE(16#)
1	YELLOW(16#)
CONN.1 WIRE COLOR	
PIN OUT	



Pin Assignments
Front View

- NOTES:
1. WATERPROOF RATE: IP65
 2. CURRENT RATING: 10A+5A
 3. CONTACT RESISTANCE: 3 Ohm Max.
 4. HI-POT TEST 800V AC, 5mA(1SEC)
 5. INSULATION RESISTANCE: 30Mohm MIN. BY 500V DC
 6. SPECIFICATIONS:SEE "E-BIKE SERIES SPECIFICATIONS".
 7. TO CONFORM TO THE SINGATRON HAZARDOUS SUBSTANCE FREE SPEC.
 8. GREEN PRODUCT IDENTIFICATION LABEL ON PACKAGING:

F	SHRINK TUBE	6	ø1.5mm 300V	BLACK
E	INNER MOLD	1	PVC	NATURAL
D	CABLE	1	16#*3C+24#*6C 0D6.6	BLACK(PVC JACKET)
C	OVER MOLD	1	HYTREL	BLACK
B	FEMALE PIN	9	Phosphor Bronze	1~3u" GOLD PLATING OVER NICKEL PLATING
A	BODY	1	PA66+GF	BLACK
NO	DESCRIPTION	QTY	MATERIAL	PLATING & COLOR

UNLESS OTHERWISE SPECIFIED TOLERANCES

DECIMALS: ANGLES:

X :±0.5 X :±2°
X.X :±0.3 X.X :±1°
X.XX :±0.2

Singatron Enterprise Co., Ltd.
信晉企業股份有限公司

E-BIKE SERIES 180° 9 PIN CONN.

PART NO. 2EB3004-W0971XH

APVD Steve SIZE: A3 SHEET: 1 OF 1 REV: C

CUSTOMER COPY