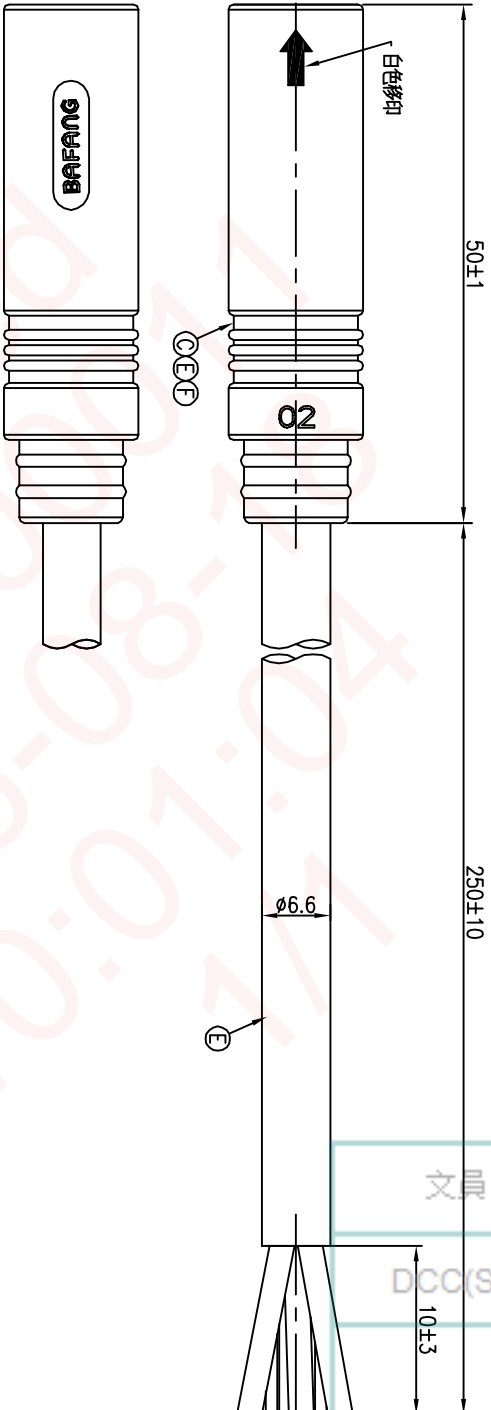
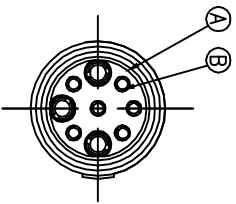
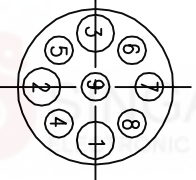


REV.	ECN NO.	OR DESCRIPTION	REVISED	DATE
A	PDR NO.:S160108-8A		Vicky	2016.01.07
B	ECN NO.:S160801-R		Vicky	2016.08.01

文島  
DCC(SZ)  
10±3  
陳環環  
2016/08/17  
16:01:08



9	BLACK
8	RED
7	BLUE
6	YELLOW
5	GREEN
4	WHITE
3	GREEN(16#)
2	BLUE(16#)
1	YELLOW(16#)
CONN.1 WIRE COLOR	
PIN OUT	



Pin Assignments  
Front View

- NOTES:
1. WATERPROOF RATE: IP65
  2. CURRENT RATING: 10A+5A
  3. CONTACT RESISTANCE: 3 Ohm Max.
  4. HI-POT TEST 800V AC, 5mA(1SEC)
  5. INSULATION RESISTANCE: 30Mohm MIN. BY 500V DC
  6. SPECIFICATIONS:SEE "E-BIKE SERIES SPECIFICATIONS".
  7. TO CONFORM TO THE SINGATRON HAZARDOUS SUBSTANCE FREE SPEC.
  8. GREEN PRODUCT IDENTIFICATION LABEL ON PACKAGING:

F	SHRINK TUBE	6	Ø1.5mm 300V	BLACK
E	INNER MOLD	1	PVC	BLACK
D	CABLE	1	16#*3C+24#*6C 0D6.6	BLACK(PVC JACKET)
C	OVER MOLD	1	HYTREL	BLACK
B	FEMALE PIN	9	Phosphor Bronze	1~3u" GOLD PLATING OVER NICKEL PLATING
A	BODY	1	PA66+GF	BLACK
NO	DESCRIPTION	QTY	MATERIAL	PLATING & COLOR

UNLESS OTHERWISE SPECIFIED TOLERANCES

DECIMALS:	ANGLES:
X :±0.5	X :±2°
X.X :±0.3	X.X :±1°
X.XX :±0.2	

Singatron Enterprise Co., Ltd.  
信晉企業股份有限公司  
TITLE: E-BIKE SERIES 180' 9 PIN CONN.  
DWN: Vicky  
CHKD: Harlen  
APVD: Steve  
PART NO.:2BB3004-W09736H  
SCALE: 2:1  
UNIT: mm  
SIZE: A3  
SHEET: 1 OF 1  
REV: B  
CUSTOMER COPY