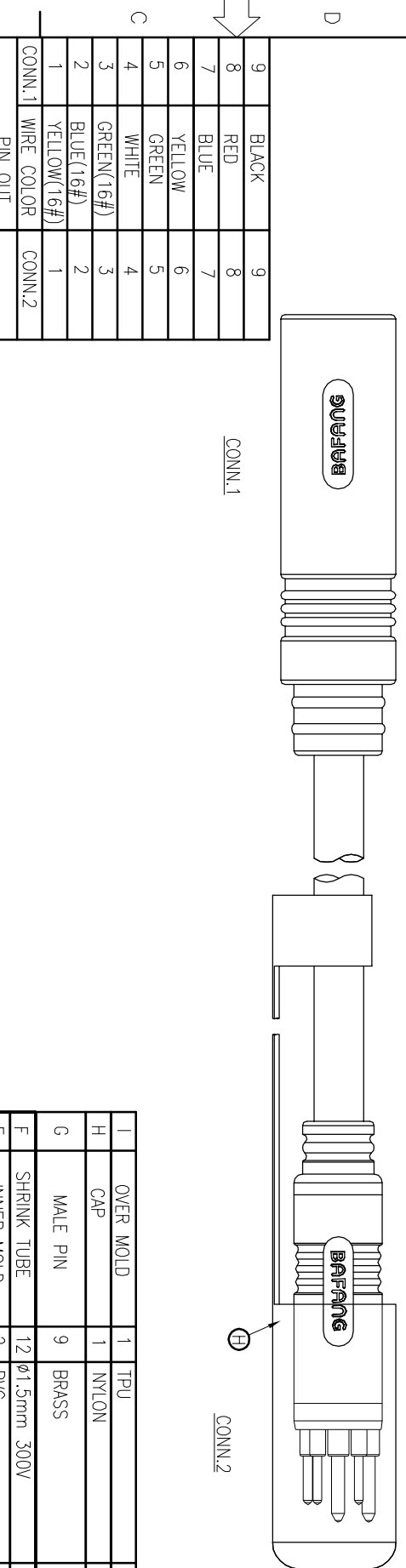
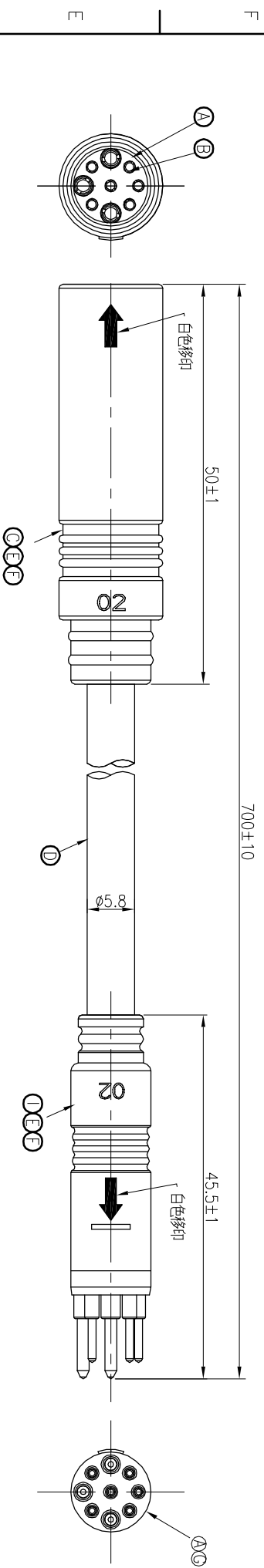
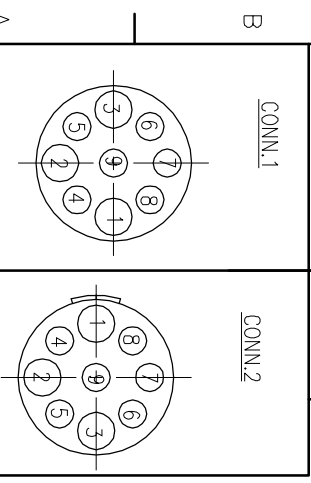


REV.	ECN NO	OR DESCRIPTION	REVISED	DATE
A	PDR NO.:S160817-6A		Wcky	2016/08/22
B	ECN NO.:A190413-R		Wcky	2019/04/28



9	BLACK	9
8	RED	8
7	BLUE	7
6	YELLOW	6
5	GREEN	5
4	WHITE	4
3	GREEN(16#)	3
2	BLUE(16#)	2
1	YELLOW(16#)	1
CONN.1 WIRE COLOR		CONN.2
PIN OUT		



- NOTES:
1. WATERPROOF RATE: IP65
 2. CURRENT RATING: 10A+5A
 3. CONTACT RESISTANCE: 3 Ohm Max.
 4. HI-POT TEST 800V AC, 5mA(1SEC)
 5. INSULATION RESISTANCE: 30Mohm MIN. BY 500V DC
 6. SPECIFICATIONS:SEE "E-BIKE SERIES SPECIFICATIONS".
 7. TO CONFORM TO THE SINGATRON HAZARDOUS SUBSTANCE FREE SPEC.
 8. GREEN PRODUCT IDENTIFICATION LABEL ON PACKAGING:

T	OVER MOLD	1	TPU	BLACK
H	CAP	1	NYLON	WHITE
G	MALE PIN	9	BRASS	1~3u" GOLD PLATING OVER NICKEL PLATING
F	SHRINK TUBE	12	Ø1.5mm 300V	BLACK
E	INNER MOLD	2	PVC	BLACK
D	CABLE	1	3C*1.2mm ² +6C*0.2mm ²	BLACK(PVC JACKET)
C	OVER MOLD	1	HYTREL	BLACK
B	FEMALE PIN	9	Phosphor Bronze	1~3u" GOLD PLATING OVER NICKEL PLATING
A	BODY	2	PA66+GF	BLACK
NO	DESCRIPTION	QTY	MATERIAL	PLATING & COLOR

UNLESS OTHERWISE SPECIFIED TOLERANCES

Singaton Enterprise Co., Ltd.
 信音企業股份有限公司

DECIMALS:	ANGLES:
X :±0.5	X :±2°
X.X :±0.3	X.X :±1°
X.XX :±0.2	

CUSTOMER COPY