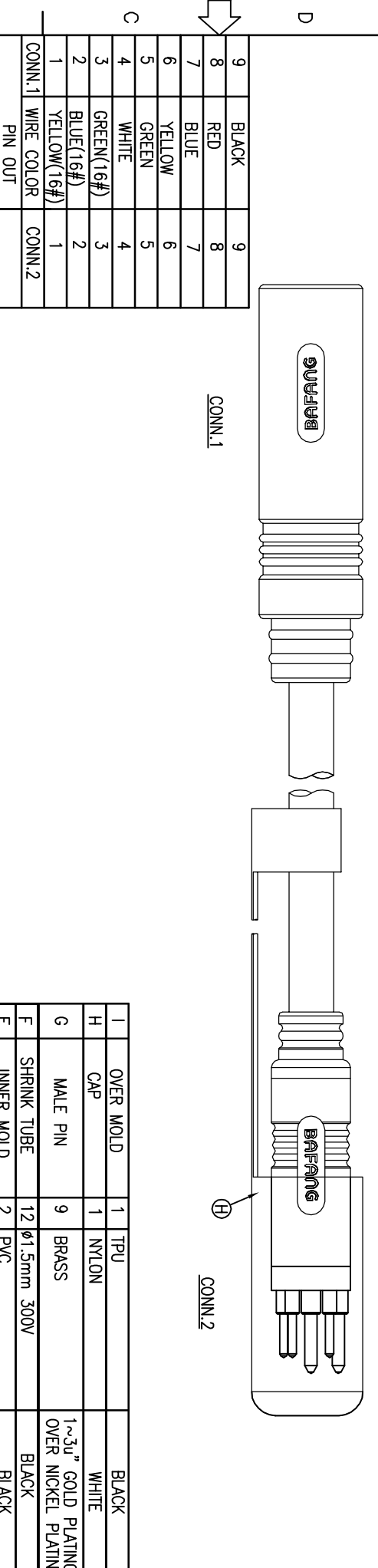
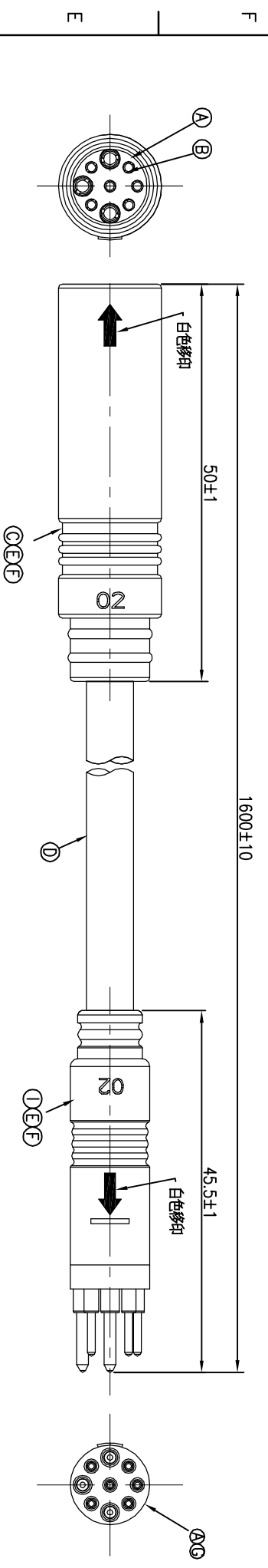
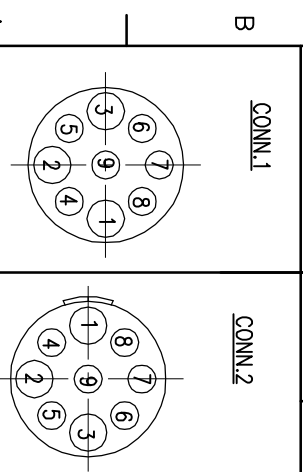


REV.	ECN NO.	OR DESCRIPTION	REVISED	DATE
A	PDR NO.S161010-4A		Vicky	2016.10.10



CONN.1	WIRE COLOR	PIN OUT	CONN.2
1	YELLOW(16#)	1	1
2	BLUE(16#)	2	2
3	GREEN(16#)	3	3
4	WHITE	4	4
5	GREEN	5	5
6	YELLOW	6	6
7	BLUE	7	7
8	RED	8	8
9	BLACK	9	9



Pin Assignments
Front View

- NOTES:
1. WATERPROOF RATE: IP65
 2. CURRENT RATING: 10A+5A
 3. CONTACT RESISTANCE: 3 Ohm Max.
 4. HI-POT TEST 800V AC, 5mA(1SEC)
 5. INSULATION RESISTANCE: 30Mohm MIN. BY 500V DC
 6. SPECIFICATIONS:SEE "E-BIKE SERIES SPECIFICATIONS".
 7. TO CONFORM TO THE SINGATRON HAZARDOUS SUBSTANCE FREE SPEC.
 8. GREEN PRODUCT IDENTIFICATION LABEL ON PACKAGING:

NO	DESCRIPTION	QTY	MATERIAL	PLATING & COLOR
A	BODY	2	PA66+GF	BLACK
B	FEMALE PIN	9	Phosphor Bronze	1~3u" GOLD PLATING OVER NICKEL PLATING
C	OVER MOLD	1	HYTREL	BLACK
D	CABLE	1	16#*3C+24#*6C OD5.8	BLACK(PVC JACKET)
E	INNER MOLD	2	PVC	BLACK
F	SHRINK TUBE	12	φ1.5mm 300V	BLACK
G	MALE PIN	9	BRASS	1~3u" GOLD PLATING OVER NICKEL PLATING
H	CAP	1	NYLON	WHITE
I	OVER MOLD	1	TPU	BLACK

UNLESS OTHERWISE SPECIFIED TOLERANCES		SINGATRON ENTERPRISE CO., LTD.	
DECIMALS:	ANGLES:	信晉企業股份有限公司	
X :±0.5	X :±2°	TITLE E-BIKE SERIES 180" 9 PIN CONN. DWG Vicky PART NO.2EB3004-W09754H CHKD Horlen SCALE 2:1 UNIT: mm APVD Steve SIZE: A3 SHEET: 1 OF 1 REV: A	
X.X :±0.3	X.X :±1°		
X.XX :±0.2			

CUSTOMER COPY