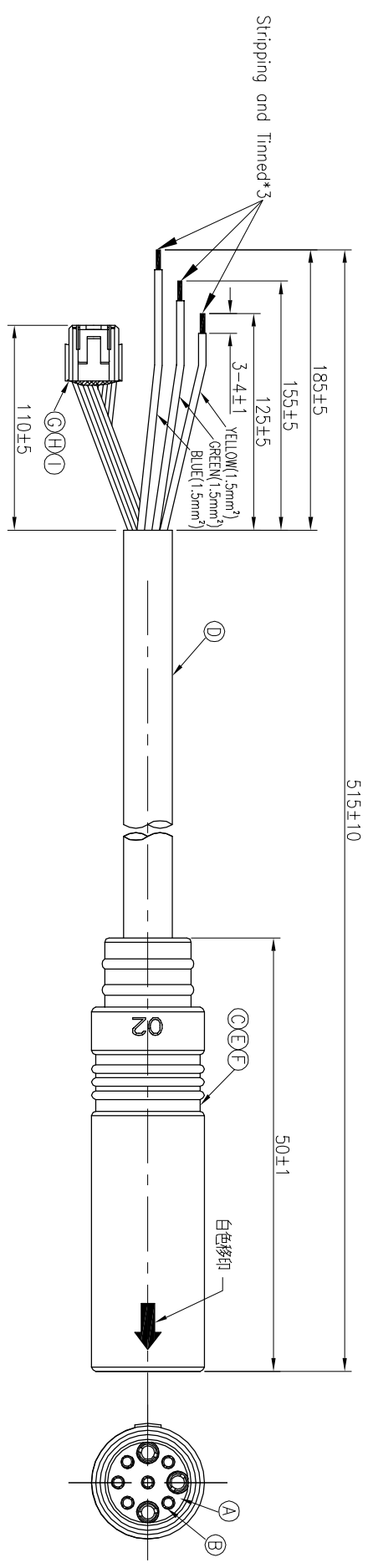
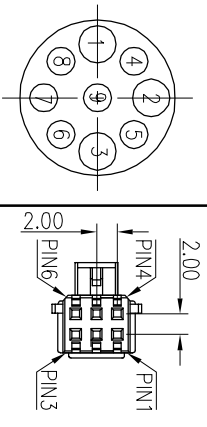


REV.	ECN NO.	OR DESCRIPTION	REVISED	DATE
A	PDR NO.:A190723-6B		RZ	2019.10.15
B	ECN NO.:S201912-C07		RZ	2019.12.20



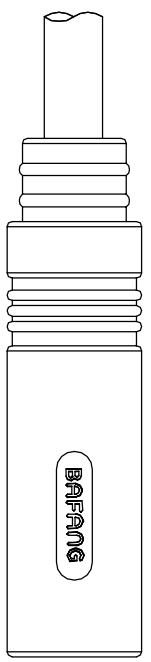
9	BLACK	6
8	RED	3
7	BLUE	5
6	YELLOW	4
5	GREEN	1
4	WHITE	2
3	GREEN(1.5mm <sup>2</sup> )	
2	BLUE(1.5mm <sup>2</sup> )	
1	YELLOW(1.5mm <sup>2</sup> )	
CONN.1 WIRE COLOR		Housing
PIN OUT		



Pin Assignments  
Front View

NOTES:

1. WATERPROOF RATE: IP65
2. CURRENT RATING: 10A+5A
3. CONTACT RESISTANCE: 3 Ohm Max.
4. HI-POT TEST 800V AC, 5mA(1SEC)
5. INSULATION RESISTANCE: 30Mohm MIN. BY 500V DC.
6. SPECIFICATIONS:SEE "E-BIKE SERIES SPECIFICATIONS."
7. TO CONFORM TO THE SINGATRON HAZARDOUS SUBSTANCE FREE SPEC.
8. GREEN PRODUCT IDENTIFICATION LABEL ON PACKAGING:



CONN.1

I	SILICA GEL	1	K-704-TDS	WHITE
H	HOUSING	1	NYLON	WHITE
G	TERMINAL	6	Phosphor Bronze	TIN-PLATING
F	SHRINK TUBE	1	Ø1.5mm 300V	BLACK
E	INNER MOLD	1	PVC	BLACK
D	CABLE	1	1.5mm*3G+0.2mm*6C 006.6	BLACK(PVC JACKET)
C	OVER MOLD	1	IPU	BLACK
B	FEMALE PIN	9	Phosphor Bronze	1~3u" GOLD PLATING OVER NICKEL PLATING
A	BODY	1	PA66+GF	BLACK
NO	DESCRIPTION	QTY	MATERIAL	PLATING & COLOR

UNLESS OTHERWISE SPECIFIED TOLERANCES

DECIMALS: ANGLES: TITLE

X	:±0.5	X	:±2°	DWN	RZ	PART NO.2BB3004-W097B5H
X.X	:±0.3	X.X	:±1°	CHKD	Cery	SCALE 2:1 UNIT: mm
X.XX	:±0.2			APVD	William	SIZE: A3 SHEET:1 OF 1 REV: B

Singatron Enterprise Co., Ltd.  
信音企業股份有限公司

E-BIKE SERIES 180° 9 PIN CONN.

CUSTOMER COPY