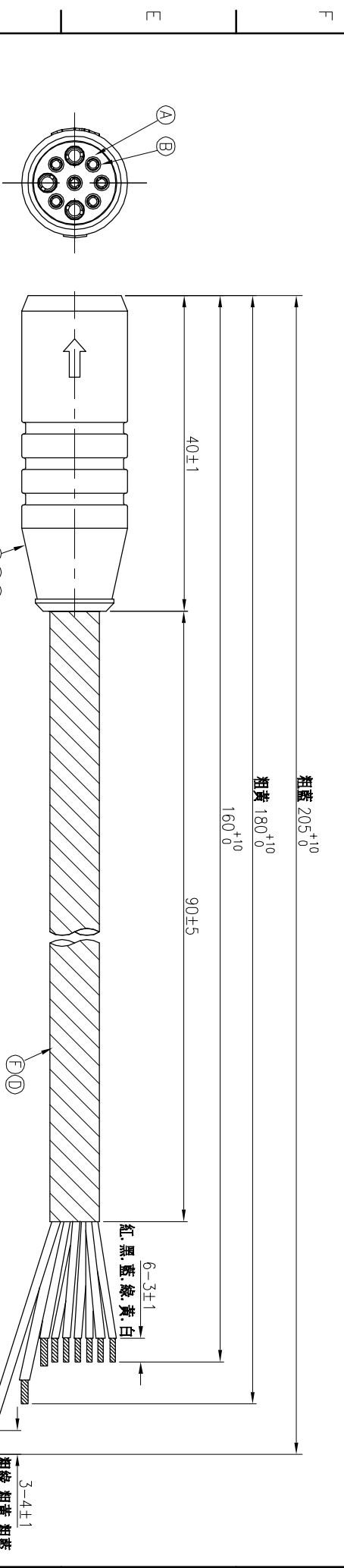
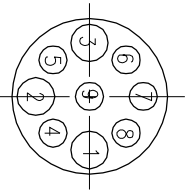
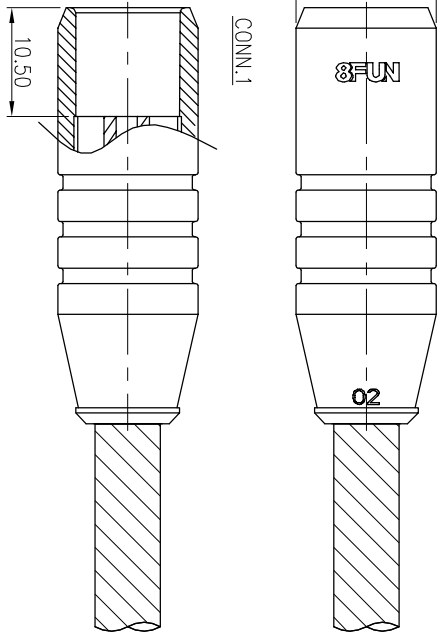


REV	ECN NO	OR DESCRIPTION	REVISED	DATE
A	PDR NO: A200722-3A		LEI	2021.09.27



9	BLACK
8	RED
7	BLUE
6	YELLOW
5	GREEN
4	WHITE
3	GREEN(1.2mm ²)
2	BLUE(1.2mm ²)
1	YELLOW(1.2mm ²)
CONN.1 WIRE COLOR	
PIN OUT	



Pin Assignments
Front View

- NOTES:
1. WATERPROOF RATE: IP65
 2. CURRENT RATING: POWER PIN 10A
SIGNAL PIN 5A
 3. CONTACT RESISTANCE: 3 Ohm Max.
 4. HI-POT TEST 800V AC, 5mA(1SEC)
 5. INSULATION RESISTANCE: 30Mohm MIN. BY 500V DC
 6. SPECIFICATIONS: SEE "E-BIKE SERIES SPECIFICATIONS".
 7. TO CONFORM TO THE SINGATRON HAZARDOUS SUBSTANCE FREE SPEC.
 8. GREEN PRODUCT IDENTIFICATION LABEL ON PACKAGING:

G	HEAT SHRINK TUBE	6	/	BLACK
F	PVC TUBE	1	φ5.28mm	BLACK
E	INNER MOLD	1	PVC	BLACK
D	WIRE	9	1.2mm*3C&24AWG*6C	SEE "PIN OUT"
C	OVER MOLD	1	TPU	BLACK
B	FEMALE PIN	9	Phosphor Bronze	1~3u" GOLD PLATING OVER NICKEL PLATING
A	BODY	1	NYLON+GF	BLACK
NO	DESCRIPTION	QTY	MATERIAL	PLATING & COLOR
UNLESS OTHERWISE SPECIFIED TOLERANCES				
Suzhou Singatron Auto Electronics CO.,LTD. 蘇州信譽汽車電子有限公司				
TITLE		E-BIKE SERIES 180° 9 PIN CONN.		
DMN	LEI	PART NO.	2EB3004-W097C1H	
CHKD	JF	SCALE	2:1 UNIT: mm	
APVD	JF	SIZE	A3 SHEET: 1 OF 1 REV: A	
CUSTOMER COPY				