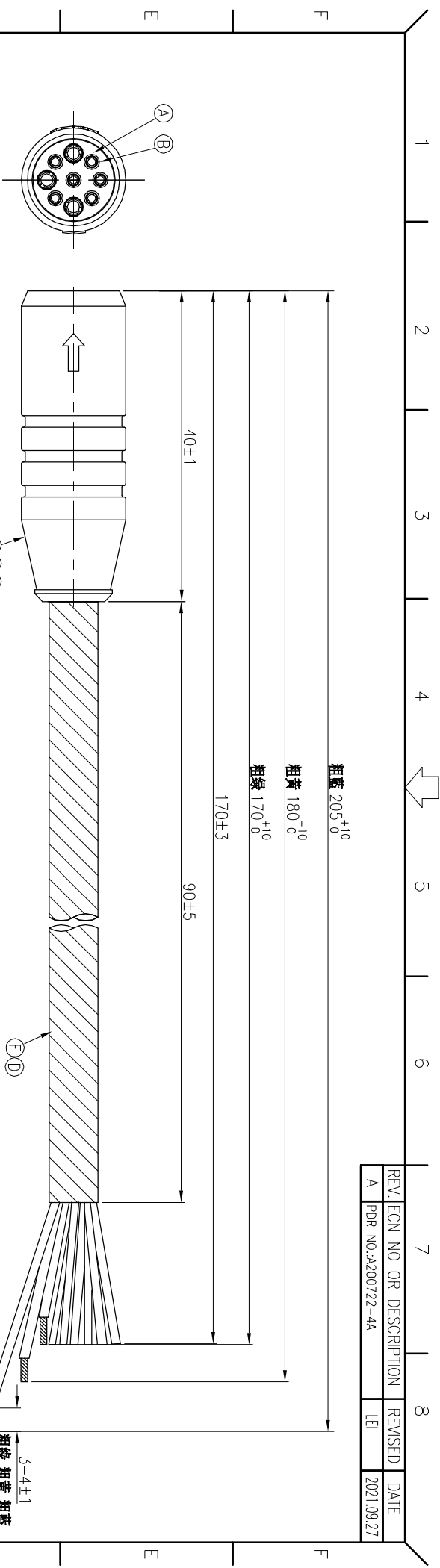
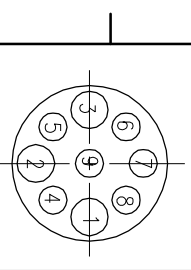
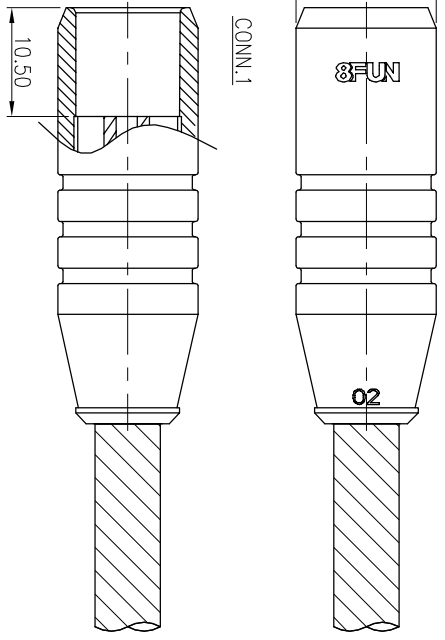


REV	ECN NO OR DESCRIPTION	REVISED	DATE
A	PDR NO.:A200722-4A	LEI	2021.09.27



9	BLACK
8	RED
7	BLUE
6	YELLOW
5	GREEN
4	WHITE
3	GREEN(1.2mm ²)
2	BLUE(1.2mm ²)
1	YELLOW(1.2mm ²)
CONN.1 WIRE COLOR	
PIN OUT	



Pin Assignments
Front View

- NOTES:
1. WATERPROOF RATE: IP65
 2. CURRENT RATING: POWER PIN 10A
SIGNAL PIN 5A
 3. CONTACT RESISTANCE: 3 Ohm Max.
 4. HI-POT TEST 800V AC, 5mA(1SEC)
 5. INSULATION RESISTANCE: 30Mohm MIN. BY 500V DC
 6. SPECIFICATIONS:SEE "E-BIKE SERIES SPECIFICATIONS".
 7. TO CONFORM TO THE SINGATRON HAZARDOUS SUBSTANCE FREE SPEC.
 8. GREEN PRODUCT IDENTIFICATION LABEL ON PACKAGING:

G	HEAT SHRINK TUBE	6	/	BLACK
F	PVC TUBE	1	φ5.28mm	BLACK
E	INNER MOLD	1	PVC	BLACK
D	WIRE	9	1.2mm ² *3C&24AWG*6C	SEE"PIN OUT"
C	OVER MOLD	1	TPU	BLACK
B	FEMALE PIN	9	Phosphor Bronze	1~3u" GOLD PLATING OVER NICKEL PLATING
A	BODY	1	NYLON+GF	BLACK
NO	DESCRIPTION	QTY	MATERIAL	PLATING & COLOR

UNLESS OTHERWISE SPECIFIED TOLERANCES			
DECIMALS:	ANGLES:		
X :±0.5	X :±2°		
X.X :±0.3	X.X :±1°		
X.XX :±0.2			
TITLE E-BIKE SERIES 180° 9 PIN CONN.			
DWN	LEI	PART NO.2EB3004-W097C2H	
CHKD	JF	SCALE 2:1	UNIT: mm
APVD	JF	SIZE: A3	SHEET: 1 OF 1
REVISION: A			

CUSTOMER COPY