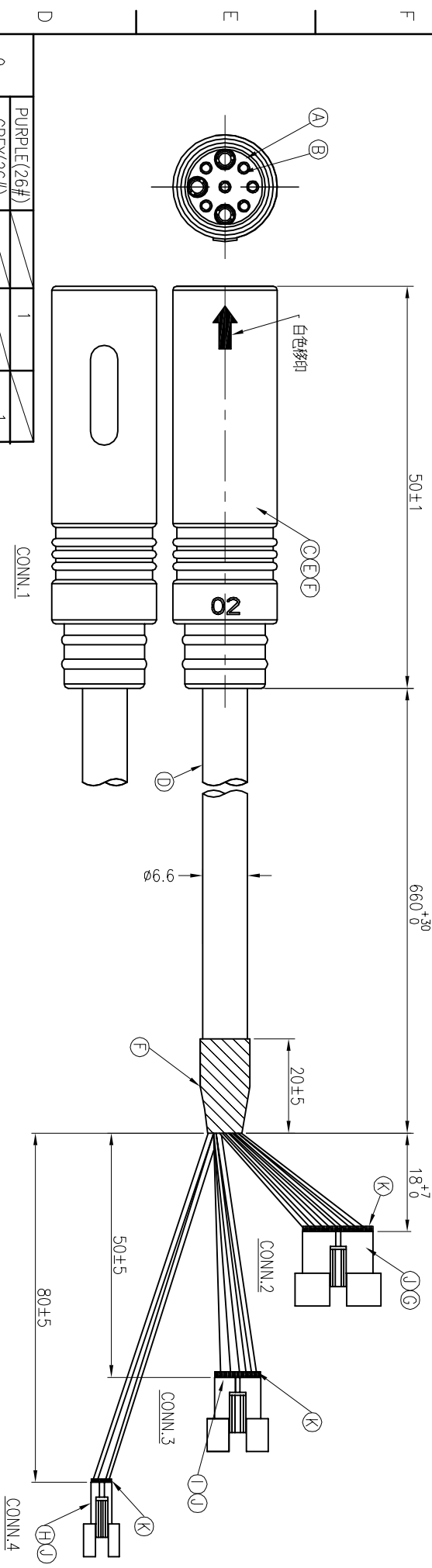


REV	ECN NO	OR	DESCRIPTION	REVISED	DATE
A	PDR	NO.:	T210412-5A	LEI	2021.12.08

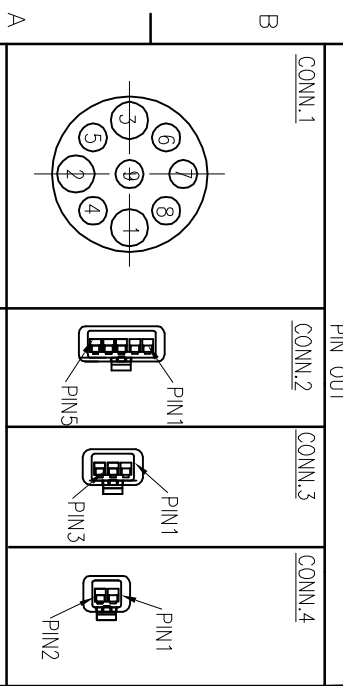


9	8	7	6	5	4	3	2	1	
PURPLE(26#)	GREY(26#)	WHITE(26#)	RED	BROWN	BLACK	GREEN	ORANGE	BLUE	YELLOW
1	4	3	1	2	2	3	2	5	2

NOTES:

1. WATERPROOF RATE: IP65
2. CURRENT RATING(CONN.1): POWER PIN 10A SINGAL PIN 5A
3. CONTACT RESISTANCE: 3 Ohm Max.
4. HI-POI TEST 800V AC, 5mA(1SEC)
5. INSULATION RESISTANCE: 30Mohm MIN. BY 500V DC
6. SPECIFICATIONS:SEE "E-BIKE SERIES SPECIFICATIONS".
7. TO CONFORM TO THE SINGATRON HAZARDOUS SUBSTANCE FREE SPEC.
8. GREEN PRODUCT IDENTIFICATION LABEL ON PACKAGING:

K	J	I	H	G	F	E	D	C	B	A
UV漆	TERMINAL	HOUSING	HOUSING	HOUSING	HEAT SHRINK TUBE	INNER MOLD	CABLE	OVER MOLD	FEMALE PIN	BODY
3	10	1	1	1	8	1	1	1	9	1
/	I25008BS-2	WST P3-125008Z-B	WST P2-125008Z-B	WST P5-125008Z-B	/	PVC	26AWG*3C+24AWG*7C	TPU	Phosphor Bronze	PA66+GF
/	/	BLACK	BLACK	BLACK	BLACK	BLACK	BLACK	BLACK	1~3u" GOLD PLATING OVER NICKEL PLATING	BLACK



CONN.1	CONN.2	CONN.3	CONN.4
PIN OUT			

NO	DESCRIPTION	QTY	MATERIAL	PLATING & COLOR
A	BODY	1	PA66+GF	BLACK
B	FEMALE PIN	9	Phosphor Bronze	1~3u" GOLD PLATING OVER NICKEL PLATING

DECIMALS:	ANGLES:	TITLE	CHKD	APVD
X :±0.5	X :±2°	E-BIKE SERIES 180° 9 PIN CONN.	LEI	JF
X.X :±0.3	X.X :±1°	PART NO.2EB3004-W097C4H	JF	JF
X.XX :±0.2		SCALE 2:1	JF	JF
		UNIT: mm		
		SIZE: A3		
		SHEET: 1 OF 1		
		REV: A		

CUSTOMER COPY