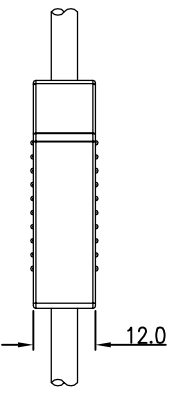
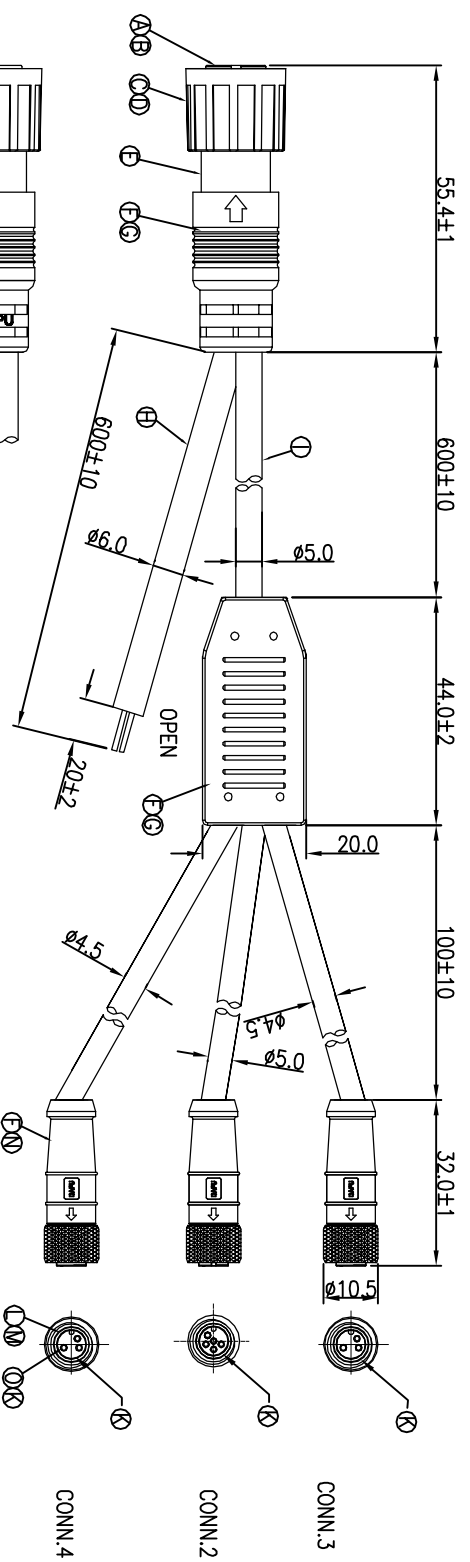
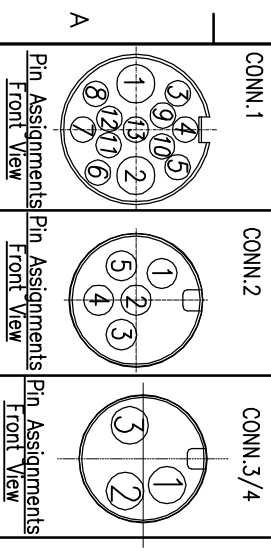


REV.	ECN NO	OR DESCRIPTION	REVISED	DATE
A	PDR NO. S140805-6C	Vicky	2014.09.23	



CONN.1	CONN.2	CONN.3	CONN.4
11 WHITE(24AWG)			
10 GRAY(24AWG)			
9 PINK(24AWG)			
8 BROWN(24AWG)			
7 BLACK(24AWG)			
6 RED(24AWG)			
3 YELLOW(24AWG)			
2 BLACK(16AWG)			
1 RED(16AWG)			
CONN.1 WIRE COLOR	CONN.2	CONN.3	CONN.4
	PIN OUT		

- NOTES:
1. ELECTRICAL CHARACTERISTICS:
- 1-1 CURRENT RATING: 15 AMPS(CONN.1 Pin1 or Pin2) 2 AMPS(OTHERS)
- 1-2 CONTACT RESISTANCE: 3 Ohm Max.
- 1-3 INSULATION RESISTANCE: 100 Mohm Min. at 500VDC
- 1-4 BREAKDOWN VOLTAGE: 500 VAC PER MINUTE
2. MECHANICAL CHARACTERISTICS:
- 2-1 TIGHTENING TORQUES: 0.6~0.8Nm(5.3~7.0lbs.in)
3. ENVIRONMENTAL:
- 3-1 OPERATING TEMPERATURE: -20° TO +80°
- 3-2 SEALING REQUIREMENTS: IP65
4. LIFE TEST: 1,000 CYCLES MIN.
6. OTHER GENERAL SPEC. TO REFER TO YOUR LOCAL SINGATRON ELECTRONICS SALES OFFICE
7. FOR TECHNICAL DATA REFER TO YOUR LOCAL SINGATRON ELECTRONICS SALES OFFICE
8. ALL DIMENSIONS ARE NOMINAL FOR REFERENCE ONLY UNLESS OTHERWISE STATED
9. TO CONFORM TO SINGATRON HAZARDOUS SUBSTANCE FREE SPEC
10. GREEN PRODUCT IDENTIFICATION LABEL ON PACKAGING SEAL



- Pin Assignments Front View
- Pin Assignments Front View
- Pin Assignments Front View

P	DESCRIPTION	QTY	MATERIAL	PLATING & COLOR
P	CABLE	1	UL2464 24AWG*5C	BLACK(PVC JACKET)
O	FEMALE PIN	11	COPPER ALLOY	1~3u" GOLD FLASH OVER NICKEL PLATING
N	INNER MOLD	3	THERMOPLASTIC	NATURAL
M	O-RING	3	VITON	RED
L	SCREW NUT	1	COPPER ALLOY	NICKEL PLATING
K	BODY	3	THERMOPLASTIC	BLACK
J	CABLE	2	UL2464 24AWG*3C	BLACK(PVC JACKET)
I	CABLE	1	UL2464 24AWG*7C	BLACK(PVC JACKET)
H	CABLE	1	UL2464 16AWG*2C	BLACK(PVC JACKET)
G	OVER MOLD	2	THERMOPLASTIC	BLACK
F	INNER MOLD	2	THERMOPLASTIC	BLACK
E	COPPER SLEEVE	1	COPPER ALLOY	BLACK NICKEL
D	SCREW NUT	1	THERMOPLASTIC	BLACK
C	O-RING	1	SILICONE	NATURAL
B	FEMALE PIN	13	COPPER ALLOY	1~3u" GOLD FLASH OVER NICKEL PLATING
A	BODY	1	THERMOPLASTIC	BLACK
NO	DESCRIPTION			

DECIMALS:	ANGLES:
X :±0.5	X :±2°
X.X :±0.3	X.X :±1°
X.XX :±0.2	

UNLESS OTHERWISE SPECIFIED TOLERANCES

Singatron Enterprise Co., Ltd.

信亨企業股份有限公司

TITLE: E-BIKE SIZE (P65) FEMALE CONNECTOR

DMN: Vicky

CHKD: Harlen

APVD: Steve

PART NO. 2EB3005-W13B10H

SCALE 2:1

UNIT: mm

SHEET: 1 OF 1

REV: A

CUSTOMER COPY