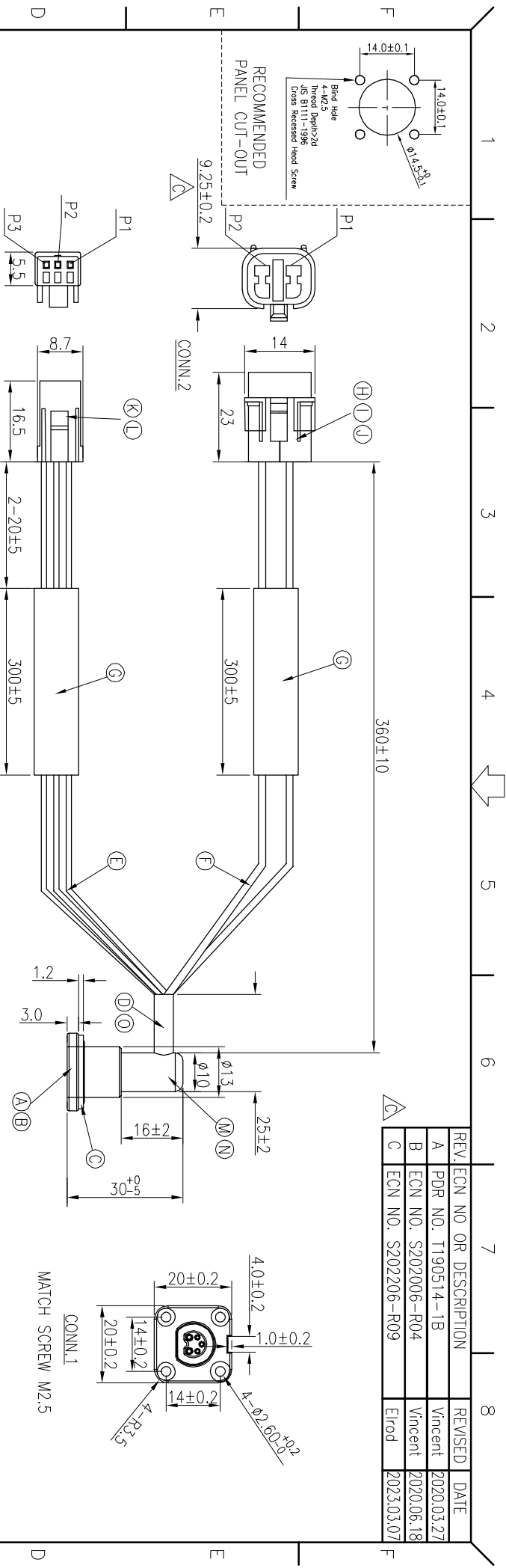


REV	ECN NO OR DESCRIPTION	REVISED	DATE
A	PDR NO: T190514-1B	Vincent	2020.03.27
B	ECN NO: S202006-R04	Vincent	2020.06.18
C	ECN NO: S202206-R09	Erod	2023.03.07

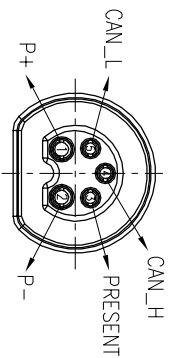


WIRE COLOR	CONN1	CONN2	CONN3	FUNCTION
WHITE	5	/	3	CAN_L
YELLOW	4	/	2	CAN_H
GREEN	3	/	1	PRESENT
BLACK	2	2	/	P-
RED	1	1	/	P+

WIRE COLOR

CONN1 CONN2 CONN3 FUNCTION

PIN DEFINE



Pin Assignments

Front View

NOTES:

1. WATERPROOF RATE: IP66
2. TEST CONDITIONS:
 - 2-1. CURRENT RATING: 5A+2A.
 - 2-2. TEMPERATURE RANGE: -20°C TO +80°C.
 - 2-3. CONDUCT RESISTANCE: 3 Ohm Max.
 - 2-4. HI-POT TEST 500VAC,5mA(1MINUTE)
 - 2-5. INSULATION RESISTANCE: 100Mohm MIN. BY 500 VDC
3. TO CONFORM TO SINGATRON HAZARDOUS SUBSTANCE FREE SPEC.
4. GREEN PRODUCT IDENTIFICATION LABEL ON PACKAGING:

Q	ACETATE CLOTH	1	N/A	BLACK
N	OVER MOLD	1	PLASTIC	BLACK
M	TUBE	5	N/A	BLACK
L	TERMINAL	3	HongRu T20032PS-2	TIN-PLATING
K	HOUSING	1	HongRu M20032-1X3	WHITE
J	RUBBER SEAL	2	KST 7001A0092	BLACK
I	TERMINAL	2	KST 1201A005	TIN-PLATING
H	HOUSING	1	KST 3202A0144	WHITE
G	TUBE	2	N/A	BLACK
F	WIRE	2	UL1430 20AWG	RED BLACK
E	WIRE	3	UL1430 26AWG	GREEN YELLOW WHITE
D	TUBE	1	N/A	BLACK
C	GASKET	1	SILICONE	BLACK
B	FEMALE PIN	5	BRASS	GOLD PLATING OVER NICKEL PLATING
A	BODY	1	PLASTIC	BLACK
NO	DESCRIPTION	QTY	MATERIAL	PLATING & COLOR

UNLESS OTHERWISE SPECIFIED TOLERANCES

DECIMALS: ANGLES:

X :±0.5 X :±2°

X.X :±0.3 X.X :±1°

X.XX :±0.2

Suzhou Singatron Auto Electronics CO.,LTD.
蘇州台音普汽車電子有限公司

E-BIKE SERIES 90° 5 PIN FEMALE CONN.

PART NO: 2EB3010-W05802H

SCALE 1:1 UNIT: mm

SIZE: A3 SHEET: 1 OF 1

REVISION: C

CUSTOMER COPY