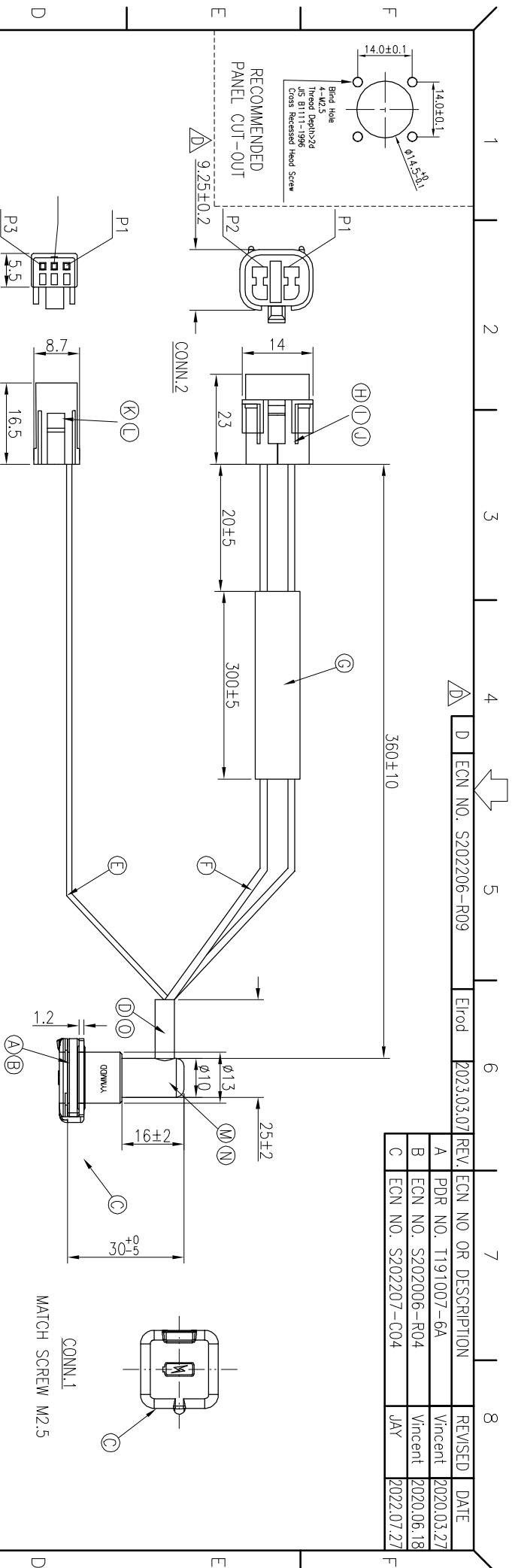


D	ECN NO. S202206-R09	Errod	2023.03.07	REV. ECN NO OR DESCRIPTION	REVISED	DATE
A	PDR NO. T191007-6A			Vincent	2020.03.27	
B	ECN NO. S202006-R04			Vincent	2020.06.18	
C	ECN NO. S202207-C04			JAY	2022.07.27	

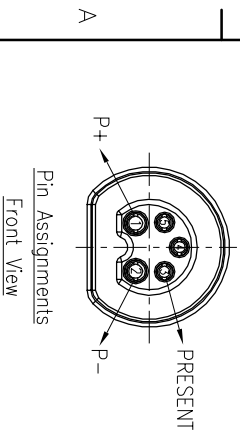


5	/	/	/	/
4	/	/	/	/
3	/	1	PRESENT	
2	2	/	P-	
1	1	/	P+	

WIRE COLOR	CONN1	CONN2	CONN3	FUNCTION
GREEN				PRESENT
BLACK	2	/	/	P-
RED	1	1	/	P+

NOTES:
1. WATERPROOF RATE: IP66
2. TEST CONDITIONS:

1. WATERPROOF RATE: IP66
2. TEST CONDITIONS:
 - 2-1. CURRENT RATING: 5A+2A
 - 2-2. TEMPERATURE RANGE: -20°C TO +80°C
 - 2-3. CONDUCT RESISTANCE: 3 Ohm Max.
 - 2-4. HI-POT TEST 500VAC, 5mA (1MINUTE)
 - 2-5. INSULATION RESISTANCE: 100MΩ MIN. BY 500 VDC
3. TO CONFORM TO SINGATRON HAZARDOUS SUBSTANCE FREE SPEC.
4. GREEN PRODUCT IDENTIFICATION LABEL ON PACKAGING:



Pin Assignments
Front View

O	△ ACETATE CLOTH	1	/	BLACK
N	OVER MOLD	1	PLASTIC	BLACK
M	TUBE	3	/	BLACK
L	TERMINAL	1	HongRu T20032PS-2	TIN-PLATING
K	HOUSING	1	HongRu M20032-1X3	WHITE
J	RUBBER SEAL	2	KST 7001A0092	BLACK
I	TERMINAL	2	KST 1201A005	TIN-PLATING
H	HOUSING	1	KST 3202A0144	WHITE
G	TUBE	1	/	BLACK
F	WIRE	2	UL1430 20AWG	RED BLACK
E	WIRE	1	UL1430 26AWG	GREEN
D	TUBE	1	/	BLACK
C	△ CAP	1	EPDM 70'	BLACK
B	FEMALE PIN	5	BRASS	GOLD PLATING OVER NICKEL PLATING
A	BODY	1	PLASTIC	BLACK

UNLESS OTHERWISE SPECIFIED TOLERANCES	QTY	MATERIAL	PLATING & COLOR
DECIMALS:			
ANGLES:			
±0.5	X	±2'	
±0.3	X	±1'	
±0.2	X		

TITLE	E-BIKE SERIES 90° 5 PIN FEMALE CONN.
DWN	Errod
CHKD	Jun
APVD	Steve
PART NO.	2EB3010-W05803H
SCALE	1:1
UNIT	mm
SIZE	A3
SHEET	1 OF 1
REV	D

Suzhou Singatron Auto Electronics CO.,LTD.
蘇州台音汽車電子有限公司

CUSTOMER COPY