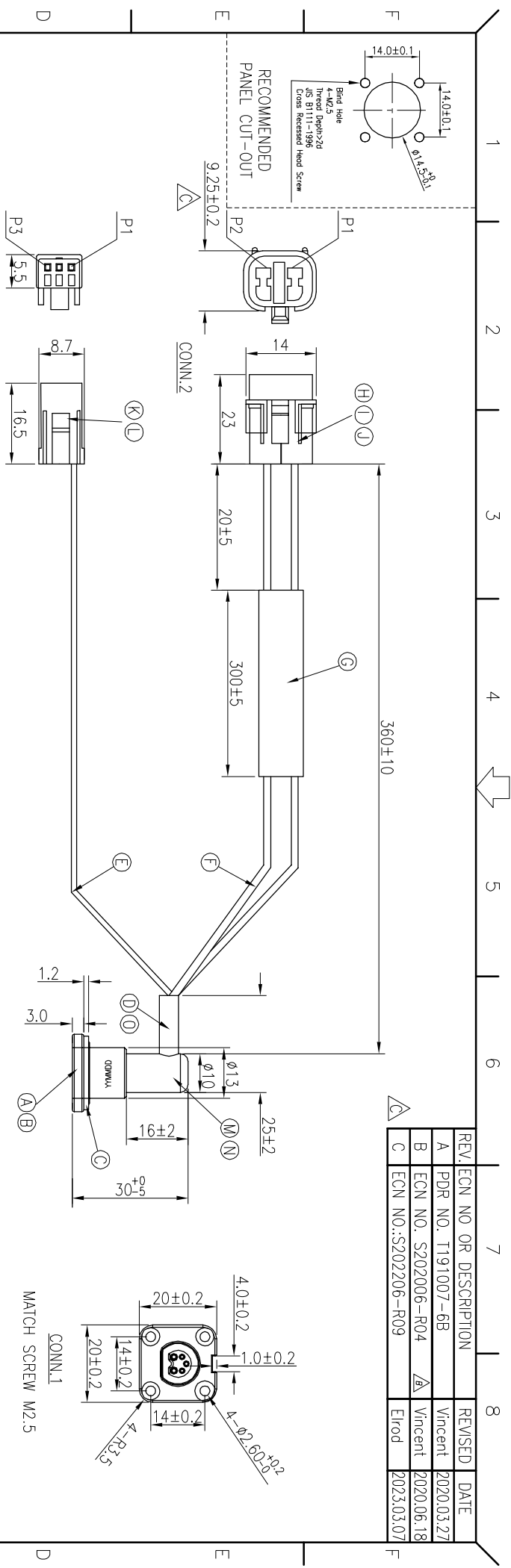
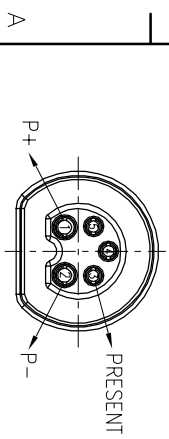


REV	ECN NO OR DESCRIPTION	REVISED	DATE
A	PDR NO. T191007-6B	Vincent	2020.03.27
B	ECN NO. S202006-R04	Vincent	2020.06.18
C	ECN NO.:S202206-R09	Eirod	2023.03.07



WIRE COLOR	CONN1	CONN2	CONN3	FUNCTION
/	/	/	/	/
/	4	/	/	/
GREEN	3	/	1	PRESENT
BLACK	2	/	/	P-
RED	1	1	/	P+

PIN DEFINE



NOTES:

1. WATERPROOF RATE: IP66
2. TEST CONDITIONS:
 - 2-1. CURRENT RATING: 5A+2A
 - 2-2. TEMPERATURE RANGE: -20°C TO +80°C
 - 2-3. CONDUCT RESISTANCE: 3 Ohm Max.
 - 2-4. HI-POT TEST 500VAC,5mA(1MINUTE)
 - 2-5. INSULATION RESISTANCE: 100MOhm MIN. BY 500 VDC
3. TO CONFORM TO SINGATRON HAZARDOUS SUBSTANCE FREE SPEC.
4. GREEN PRODUCT IDENTIFICATION LABEL ON PACKAGING: **GREEN PASS**

Q	△	ACETATE CLOTH	1	N/A	BLACK
N		OVER MOLD	1	PLASTIC	BLACK
M		TUBE	3	N/A	BLACK
L		TERMINAL	1	HongRu T20032PS-2	TIN-PLATING
K		HOUSING	1	HongRu M20032-1X3	WHITE
J		RUBBER SEAL	2	KST 7001A0092	BLACK
I		TERMINAL	2	KST 1201A005	TIN-PLATING
H		HOUSING	1	KST 3202A0144	WHITE
G		TUBE	1	N/A	BLACK
F		WIRE	2	UL1430 20AWG	RED BLACK
E		WIRE	1	UL1430 26AWG	GREEN
D		TUBE	1	N/A	BLACK
C		GASKET	1	SILICONE	BLACK
B		FEMALE PIN	5	BRASS	GOLD PLATING OVER NICKEL PLATING
A		BODY	1	PLASTIC	BLACK
NO		DESCRIPTION	QTY	MATERIAL	PLATING & COLOR

UNLESS OTHERWISE SPECIFIED TOLERANCES

DECIMALS: ANGLES:

X :±0.5 X :±2°
 X.X :±0.3 X.X :±1°
 X.XX :±0.2

Suzhou Singatron Auto Electronics CO.,LTD.
 蘇州台音普汽車電子有限公司

E-BIKE SERIES 90° 5 PIN FEMALE CONN.

PART NO. 2EB3010-W05804H
 SCALE 1:1 UNIT: mm
 SIZE: A3 SHEET: 1 OF 1 REV: C

CUSTOMER COPY