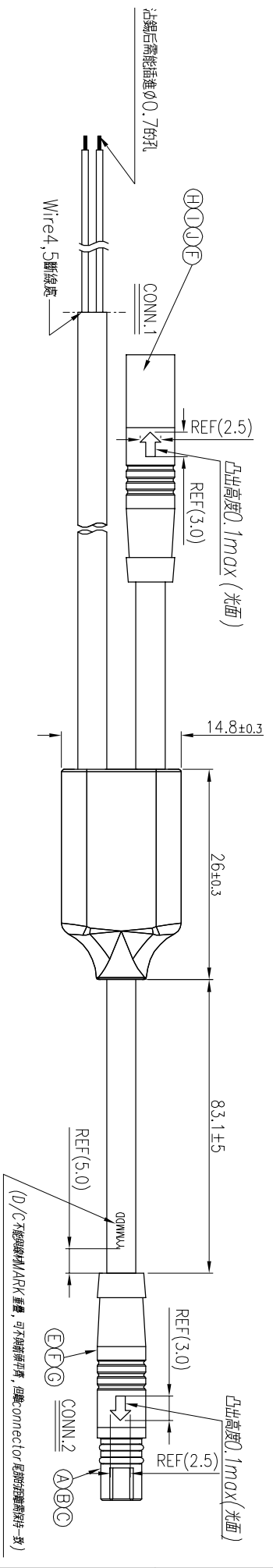
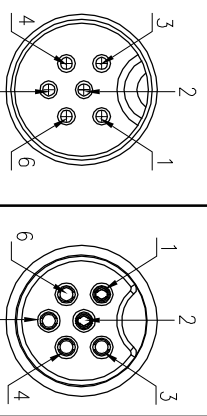


REV	ECN NO	OR DESCRIPTION	REVISED	DATE
A	PDR NO.:T200522-11A		JY	2021.05.29



P/N	FLK P/N	FLK MODEL
2EB3016-W06105H	832B-009E-0180	EVO MY21

6	GREEN	6
5	YELLOW	5
4	ORANGE	4
3	RED	3
2	BROWN	2
1	BLACK	1
PIN NO.		PIN NO.
WIRE COLOR		PIN NO.
PIN OUT		



NOTES:

1. WATERPROOF RATE: IP67
2. CURRENT RATING: 1A
3. CONTACT RESISTANCE: 3 Ohm Max.
4. WITHSTAND VOLTAGE: 500V AC, 1MIN.
5. INSULATION RESISTANCE: 100Mohm MIN. BY 500V DC
6. TO CONFORM TO THE SINGATRON HAZARDOUS SUBSTANCE FREE SPEC.
7. GREEN PRODUCT IDENTIFICATION LABEL ON PACKAGING: **GR-PASS**

N	PQB	1	FR4	GREEN
M	GLUE	1	通槽号 1-2577	NATURE
K	SR INNER MOLD	1	THERMOPLASTIC	NATURE
J	BODY	1	THERMOPLASTIC	BLACK
I	MALE PIN	6	C3604	1~3u" GOLD PLATING OVER Ni PLATING
H	HOUSING	1	C3604	Ni PLATING
G	OVER MOLD	2	THERMOPLASTIC	BLACK
F	GLUE	2	NA	BLACK
E	HEAT SHRINK TUBE	2	300V	BLACK
D	CABLE	1	26AWG*6C,300V	BLACK
C	O-RING(SR)	1	SILICONE	RED
B	FEMALE PIN	6	C5210-EH	1~3u" GOLD PLATING OVER Ni PLATING
A	HOUSING	1	THERMOPLASTIC	BLACK
NO	DESCRIPTION	QTY	MATERIAL	PLATING & COLOR

UNLESS OTHERWISE SPECIFIED TOLERANCES

DECIMALS:	ANGLES:
X : ±0.5	X : ±2°
X.X : ±0.3	X.X : ±1°
X.XX : ±0.2	

TITLE	MINI 6PIN WIRE CABLE ASSY
DWN	JY
CHKD	JF
APVD	JF
PART NO.	2EB3016-W06105H
SCALE	2:1
UNIT	mm
SIZE	A3
SHEET	1 OF 1
REV	A

CUSTOMER COPY