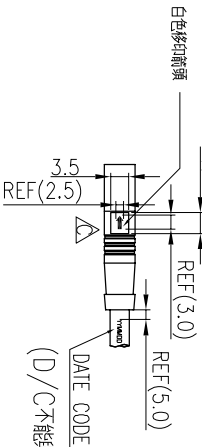
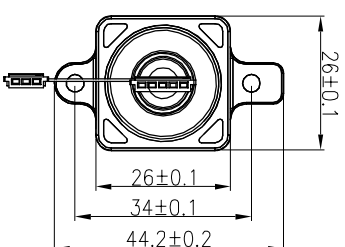
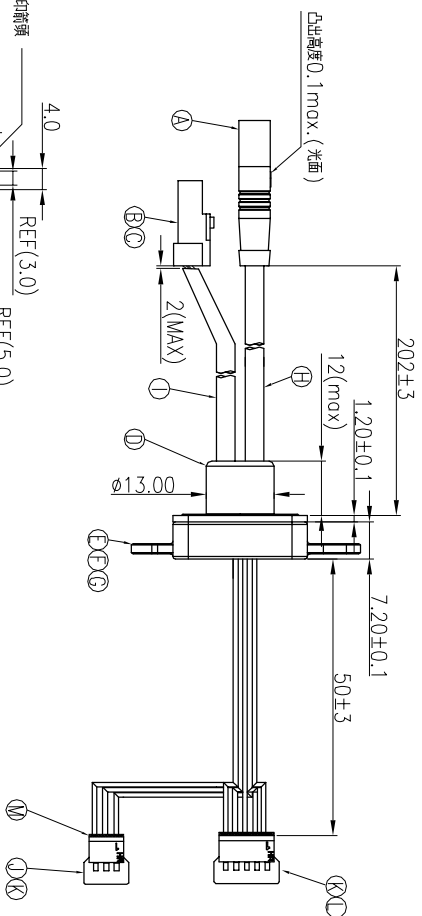


REV.	ECN NO.	OR DESCRIPTION	REVISED	DATE
A	PDR NO.:A200520-11A		JY	2020.12.20
B	ECN NO.:S202112-C10		JY	2022.06.21
C	ECN NO.:S202207-C10		EIrod	2023.01.13



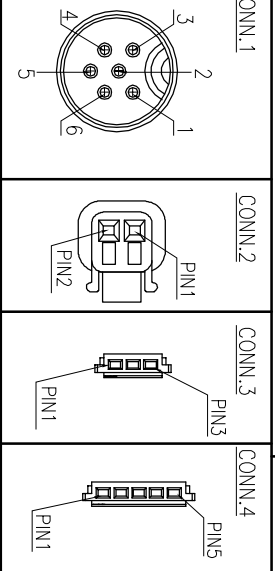
(D/C不能與線材MARK重疊, 可與線頭齊齊, 但離connector尾部的距離需保持一致)

	PIN2	PIN1	PIN5	PIN4
GREY				
WHITE				
GREEN				
YELLOW				
ORANGE				
RED				
BROWN				
BLACK				

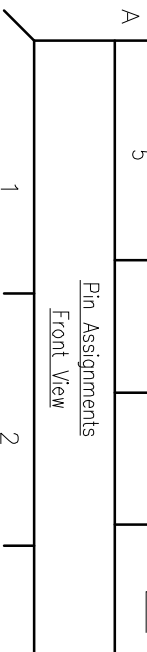
- NOTES:
1. WATERPROOF RATE: IP66 (FOR SR)
  2. WIRE AND SR TENSILE STRENGTH: 200N Min.
  3. CONTACT RESISTANCE: 3 Ohm Max.
  4. WITHSTAND VOLTAGE: 500V AC, 1MIN.
  5. INSULATION RESISTANCE: 100Mohm Min. BY 500V DC
  6. TO CONFORM TO THE SINGATRON HAZARDOUS SUBSTANCE FREE SPEC.
  7. GREEN PRODUCT IDENTIFICATION LABEL ON PACKAGING: **RoHS**

PIN DEFINE

CONN.1	CONN.2	CONN.3	CONN.4
1 (GND)	1 (GND)	1 (GND)	1 (GND)
2 (CANH)	2 (CANH)	2 (CANH)	2 (CANH)
3 (BRAKE)	3 (BRAKE)	3 (BRAKE)	3 (BRAKE)
4 (WAKE UP)	4 (WAKE UP)	4 (WAKE UP)	4 (WAKE UP)
5 (P+)	5 (P+)	5 (P+)	5 (P+)
6 (CANL)	6 (CANL)	6 (CANL)	6 (CANL)



Pin Assignments  
Front View



M	UV	8861	NATURE
L	HOUSING	1 C2003HF-05P	NATURE
K	TERMINAL	8 C2003F-1BE	N/A
J	HOUSING	1 C2003HF-03P	NATURE
I	CABLE2	1 26AWG*2C+AL, 300V	BLACK
H	CABLE	1 26AWG*6C+AL, 300V	BLACK
G	GLUE	1 JA723	BLACK
F	GASKET	1 RUBBER	BLACK
E	HOUSING	1 PC945	BLACK
D	SR	1 TPU	BLACK
C	TERMINAL	2 JST SWPR-0011T-PQ25	N/A
B	HOUSING	1 JST 02R-JWPF-VSLE-S	NATURE
A	FEMALE CONN	1 2EB3016-W06101H	N/A
NO	DESCRIPTION	MATERIAL	PLATING & COLOR

UNLESS OTHERWISE SPECIFIED TOLERANCES

DECIMALS:	ANGLES:
X :±0.5	X :±2°
X.X :±0.3	X.X :±1°
X.XX :±0.2	

TITLE	MINI 6PIN FEMALE CONNECTOR WIRE HARNESS
DWN	EIrod
CHKD	Jun
APVD	Steve

**CUSTOMER COPY**

Suzhou Singatron Auto Electronics CO.,LTD.  
蘇州信譽汽車電子有限公司