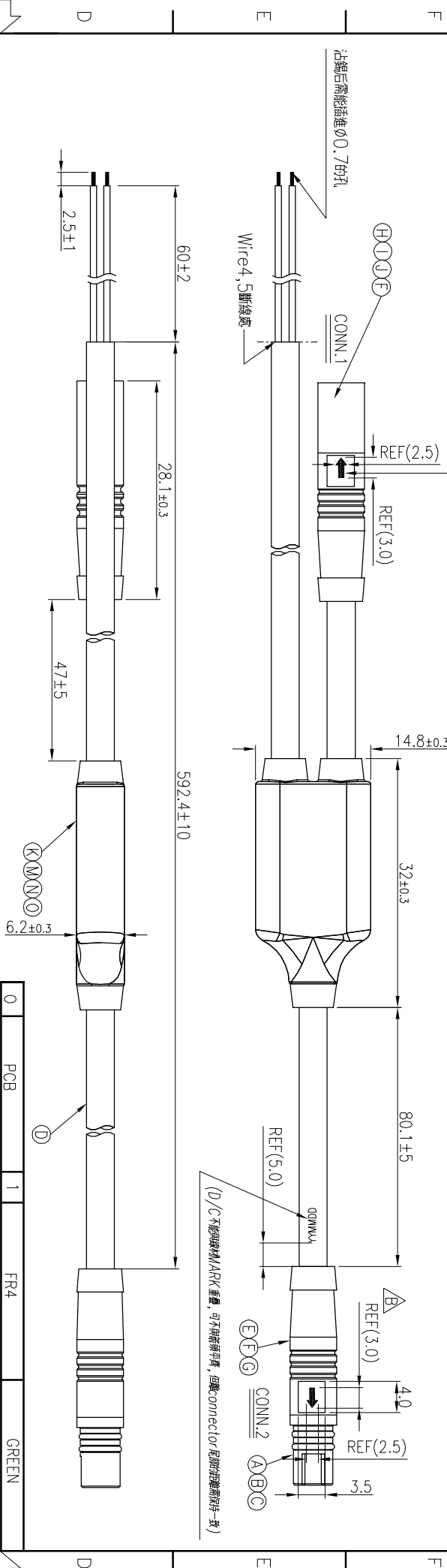


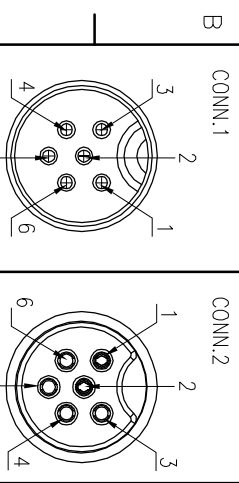
REV	ECN NO	OR DESCRIPTION	REVISED	DATE
A	PDR NO.:T200610-2A	JY		2021.05.29
B	ECN NO.:S2022207-C10	Erod		2023.01.13



6	GREEN	6
5	YELLOW	5
4	ORANGE	4
3	RED	3
2	BROWN	2
1	BLACK	1

P/N	FLK P/N	FLK MODEL
2EB3016-W06107H	832B-009B-0180	EVO_MY21

PIN DEFINE



Pin Assignments  
Front View

NOTES:

1. WATERPROOF RATE: IP67
2. CURRENT RATING: 1A
3. CONTACT RESISTANCE: 3 Ohm Max.
4. WITHSTAND VOLTAGE: 500V AC, 1MIN.
5. INSULATION RESISTANCE: 100Mohm MIN. BY 500V DC
6. TO CONFORM TO THE SINGATRON HAZARDOUS SUBSTANCE FREE SPEC.
7. GREEN PRODUCT IDENTIFICATION LABEL ON PACKAGING: **GR-PAHS**

Pin Assignments  
Front View

0	PCB	1	FR4	GREEN
N	GLUE	1	德康 1-2577	NATURE
M	SR OVER MOLD	1	THERMOPLASTIC	BLACK
K	SR INNER MOLD	1	THERMOPLASTIC	NATURE
J	BODY	1	THERMOPLASTIC	BLACK
I	MALE PIN	6	BRASS	1~3u" GOLD PLATING OVER Ni PLATING
H	HOUSING	1	BRASS	Ni PLATING
G	OVER MOLD	2	THERMOPLASTIC	BLACK
F	GLUE	2	NA	BLACK
E	HEAT SHRINK TUBE	2	300V	BLACK
D	CABLE	1	26AWG*6C, 300V	BLACK
C	O-RING	2	SILICONE	RED
B	FEMALE PIN	6	C5210-EH	1~3u" GOLD PLATING OVER Ni PLATING
A	HOUSING	1	THERMOPLASTIC	BLACK
NO	DESCRIPTION	QTY	MATERIAL	PLATING & COLOR

UNLESS OTHERWISE SPECIFIED TOLERANCES

Suzhou Singatron Auto Electronics CO.,LTD.  
蘇州信譽汽車電子有限公司

DECIMALS: ANGLES:

X :±0.5 X :±2°  
X.X :±0.3 X.X :±1°  
X.XX :±0.2

TITLE: MINI 6PIN WIRE CABLE ASSY

DWN: Erod PART NO. 2EB3016-W06107H  
CHKD: Jun SCALE 2:1 UNIT: mm  
APVD: Steve SIZE: A3 SHEET: 1 OF 1 REV: B

CUSTOMER COPY