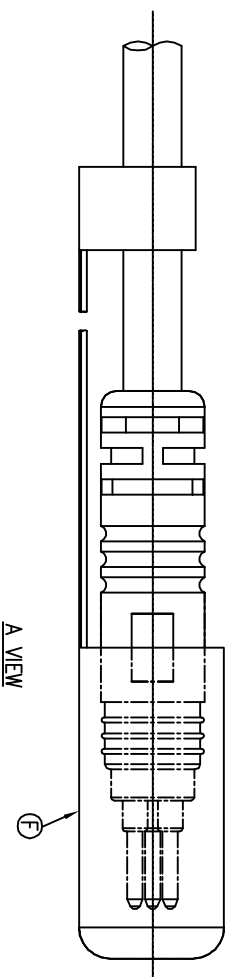
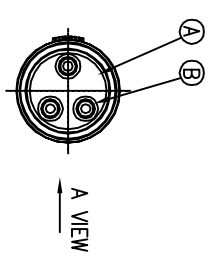
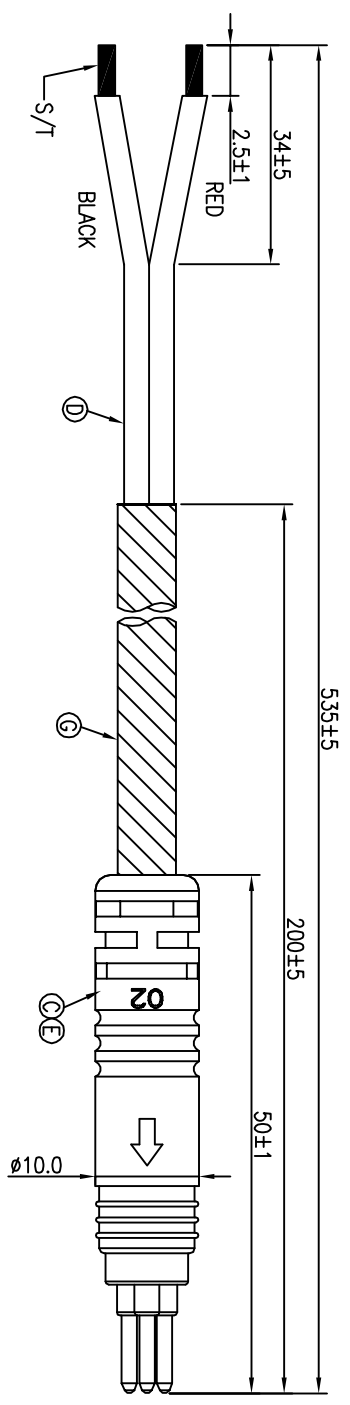
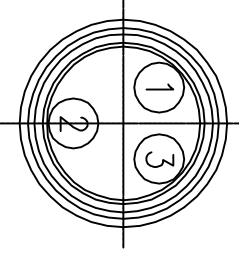


REV.	ECN NO OR DESCRIPTION	REVISED	DATE
A	PDR NO.:S160509-5E	Vicky	2016.05.05



3	RED
2	BLACK
1	/
CONN. WIRE COLOR	
PIN OUT	
CONN.	



Pin Assignments  
Front View

- NOTES:
1. WATERPROOF RATE: IP65
  2. CURRENT RATING: 10A
  3. CONTACT RESISTANCE: 3 Ohm Max.
  4. HI-POT TEST 800V AC, 5mA(1SEC)
  5. INSULATION RESISTANCE: 30Mohm MIN. BY 500V DC
  6. TO CONFORM TO THE SINGATRON HAZARDOUS SUBSTANCE FREE SPEC.
  7. GREEN PRODUCT IDENTIFICATION LABEL ON PACKAGING: **RoHS Pass**
  8. ALL PRODUCTS MEET THE ROHS COMPLIANT.
  9. REFER TO FARADAY PART NO.303-0075-A

G	SHRINK TUBE	1	1/4-DR-25 RANCHEN	BLACK
F	CAP	1	PA66	NATURAL
E	INNER MOLD	1	ABS	NATURAL
D	CABLE	1	16#*2C	BLACK&RED
C	OVER MOLD	1	TPU	BLACK
B	MALE PIN	3	BRASS	GOLD PLATING
A	BODY	1	PA66+GF	BLACK
NO DESCRIPTION		QTY	MATERIAL	PLATING & COLOR
UNLESS OTHERWISE SPECIFIED TOLERANCES				
DECIMALS:		ANGLES:		
X	:±0.5	X	:±2°	
X.X	:±0.3	X.X	:±1'	
X.XX	:±0.2			
TITLE		E-BIKE SERIES 180° 3 PIN MALE CONN.		
DWG		Vicky		
CHKD		Horten		
APVD		Steve		
PART NO.		2EBB3024-W03413H		
SCALE		2:1		
UNIT:		mm		
SIZE:		A3		
SHEET:		1 OF 1		
REV:		A		

Singatron Enterprise Co., Ltd.  
信譽企業股份有限公司

CUSTOMER COPY