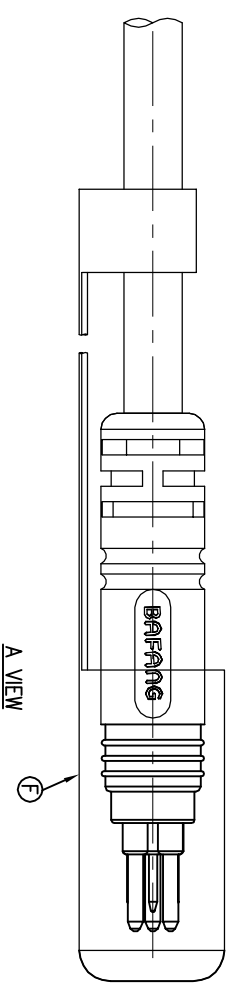
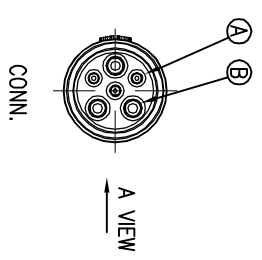
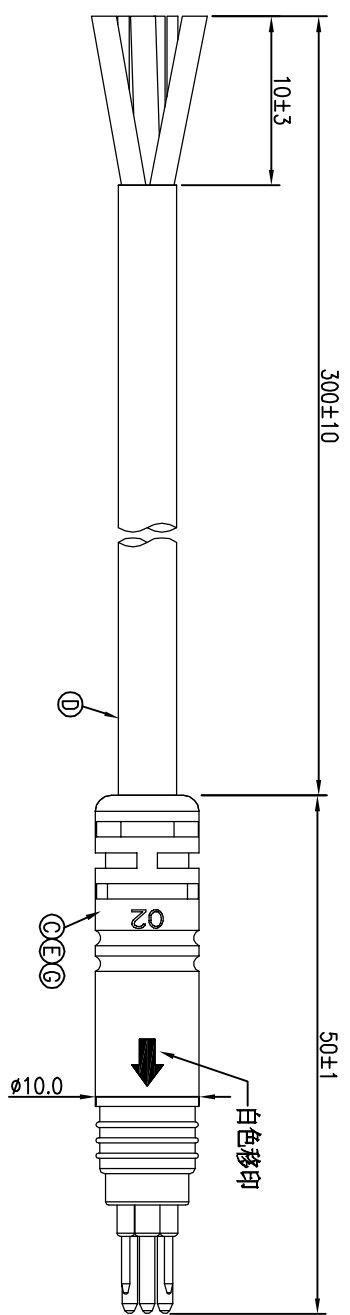
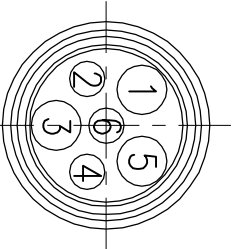


REV.	ECN NO OR DESCRIPTION	REVISED	DATE
A	PDR NO.:S160908-1A	Vckv	2016.09.09



6	BLACK
5	YELLOW
4	WHITE
3	BLUE
2	RED
1	GREEN
CONN. WIRE COLOR	



Pin Assignments
Front View

- NOTES:
- ELECTRICAL CHARACTERISTICS:
 - 1-1 CURRENT RATING: (10+2) AMPS.
 - 1-2 CONTACT RESISTANCE: 3 Ohm Max.
 - 1-3 INSULATION RESISTANCE: 30 MOhm Min. at 500VDC.
 - 1-4 BREAKDOWN VOLTAGE: 800 VAC PER MINUTE.
 - ENVIRONMENTAL:
 - 2-1 OPERATING TEMPERATURE: -20°C TO +80°C.
 - 2-2 SEALING REQUIREMENTS: IP65.
 - SPECIFICATIONS:SEE "E-BIKE SERIES SPECIFICATIONS".
 - FOR TECHNICAL DATA REFER TO YOUR LOCAL SINGATRON ELECTRONICS SALES OFFICE.
 - ALL DIMENSIONS ARE NOMINAL FOR REFERENCE ONLY UNLESS OTHERWISE STATED.
 - TO CONFORM TO SINGATRON HAZARDOUS SUBSTANCE FREE SPEC.
 - GREEN PRODUCT IDENTIFICATION LABEL ON PACKAGING:[\(see page 1\)](#).

G	SHRINK TUBE	3	φ1.5mm 300V	BLACK
F	CAP	1	PA66	NATURAL
E	INNER MOLD	1	ABS(765A)	NATURAL
D	CABLE	1	16#*3C(118/0.12)+24#*3C(19/0.12) OD:5.6	BLACK(PVC JACKET)
C	OVER MOLD	1	TPU(S98A)	BLACK
B	MALE PIN	6	C3604	1~3μ" GOLD PLATING OVER NICKEL PLATING
A	BODY	1	PA66+30%GF	BLACK
NO	DESCRIPTION	QTY	MATERIAL	PLATING & COLOR
UNLESS OTHERWISE SPECIFIED TOLERANCES				
Singatron Enterprise Co., Ltd. 信譽企業股份有限公司				
TITLE E-BIKE SERIES 180" 6 PIN MALE CONN.				
DWN	Vckv	PART NO.2EB3024-M06911H	UNIT: mm	REV: A
CHKD	Harlen	SCALE 2:1	UNIT: mm	REV: A
APVD	Steve	SIZE: A3	SHEET: 1 OF 1	REV: A
CUSTOMER COPY				