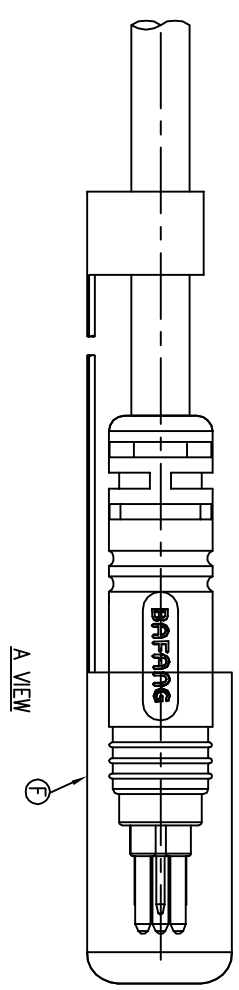
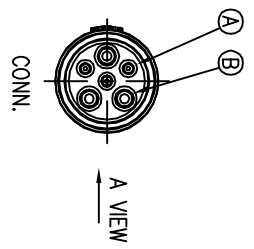
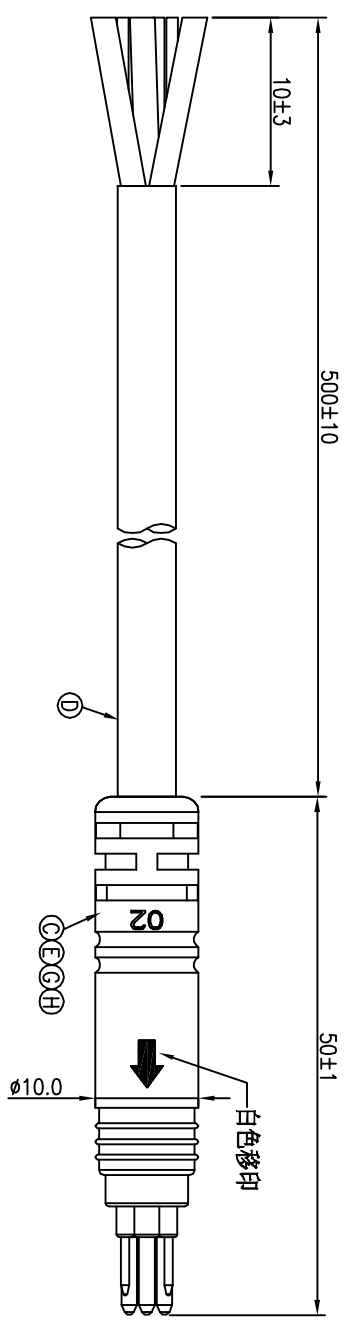
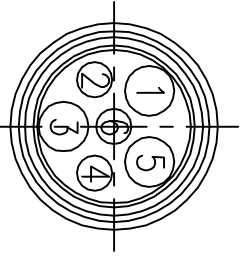


REV	ECN NO OR DESCRIPTION	REVISED	DATE
A	PDR NO.:S161108-7B	JF	2017.01.21



6	BLACK
5	YELLOW
4	WHITE
3	BLUE
2	RED
1	GREEN
WIRE COLOR	
PIN OUT	
CONN.	



Pin Assignments  
Front View

- NOTES:
1. WATERPROOF RATE: IP65
  2. CURRENT RATING: 10A+2A
  3. CONTACT RESISTANCE: 3 Ohm Max.
  4. HI-POT TEST 800V AC, 5mA(1SEC)
  5. INSULATION RESISTANCE: 30Mohm MIN. BY 500V DC
  6. SPECIFICATIONS:SEE "E-BIKE SERIES SPECIFICATIONS"
  7. TO CONFORM TO THE SINGATRON HAZARDOUS SUBSTANCE FREE SPEC.
  8. GREEN PRODUCT IDENTIFICATION LABEL ON PACKAGING:

G	SHRINK TUBE	3	φ1.5mm 300V	BLACK
F	CAP	1	PA66	NATURAL
E	INNER MOLD	1	ABS	NATURAL
D	CABLE	1	16#*3C+24#*3C OD5.6	BLACK(PVC JACKET)
C	OVER MOLD	1	TPU	BLACK
B	MALE PIN	6	BRASS	1~3u" GOLD PLATING OVER NICKEL PLATING
A	BODY	1	PA66+GF	BLACK
NO	DESCRIPTION	QTY	MATERIAL	PLATING & COLOR

UNLESS OTHERWISE SPECIFIED TOLERANCES

DECIMALS:	ANGLES:
X :±0.5	X :±2°
X.X :±0.3	X.X :±1°
X.XX :±0.2	

TITLE	Singatron Enterprise Co., Ltd. 信晉企業股份有限公司		
DWN	JF	PART NO.2BB3024-W06912H	
CHKD	Yang	SCALE 2:1	UNIT: mm
APVD	Harlen	SIZE: A3	SHEET:1 OF 1

CUSTOMER COPY