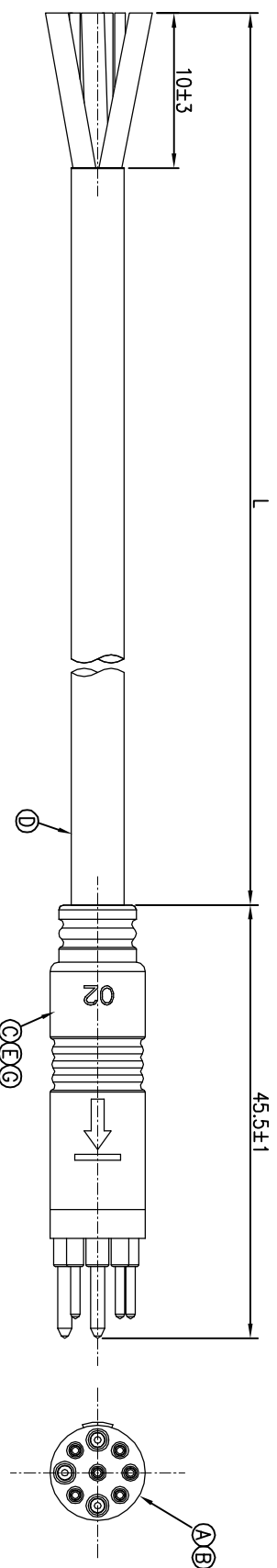
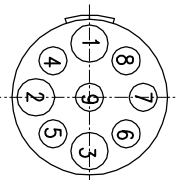


REV.	ECN NO.	OR DESCRIPTION	REVISED	DATE
A	PDR NO:S130822-3A		Harlen	2014.2.11
B	ECN NO:S140336		Harlen	2014.3.25
C	PDR NO:S140619-5A		Vicky	2014.07.24



9	BLACK
8	RED
7	BLUE
6	YELLOW
5	GREEN
4	WHITE
3	GREEN(16#)
2	BLUE(16#)
1	YELLOW(16#)
CONN.1 WIRE COLOR	

PIN OUT	
2EB3024-W09701H	500±10
2EB3024-W09702H	1000±10
2EB3024-W09703H	200±10
CONN.1	



Pin Assignments
Front View

- NOTES:
1. WATERPROOF RATE: IP65
 2. CURRENT RATING: 10A+5A
 3. CONTACT RESISTANCE: 3 Ohm Max.
 4. HI-POT TEST 800V AC, 5mA(1SEC)
 5. INSULATION RESISTANCE: 30Mohm MIN. BY 500V DC
 6. SPECIFICATIONS:SEE "E-BIKE SERIES SPECIFICATIONS"
 7. TO CONFORM TO THE SINGATRON HAZARDOUS SUBSTANCE FREE SPEC.
 8. GREEN PRODUCT IDENTIFICATION LABEL ON PACKAGING:

G	SHRINK TUBE	6	φ1.5mm 300V	BLACK
F	CAP	1	NYLON	WHITE
E	INNER MOLD	1	PVC 30P	NATURAL
D	CABLE	1	16#*3C+24#*6C OD5.9	BLACK(PVC JACKET)
C	OVER MOLD	1	TPU	BLACK
B	MALE PIN	9	BRASS	1~3μ" GOLD PLATING OVER NICKEL PLATING
A	BODY	1	PA66+GF	BLACK
NO	DESCRIPTION	QTY	MATERIAL	PLATING & COLOR

UNLESS OTHERWISE SPECIFIED TOLERANCES

DECIMALS: ANGLES:

X :±0.5 X :±2

X.X :±0.3 X.X :±1

X.XX :±0.2

TITLE	E-BIKE SERIES 180° 9 PIN CONN.		
DWN	Vicky	PART NO.2EB3024-W09703H	
CHKD	Harlen	SCALE 2:1	UNIT: mm
APVD	Quon	SIZE: A3	SHEET: 1 OF 1
REVISION: C			
CUSTOMER COPY			

Singatron Enterprise Co., Ltd.
信譽企業股份有限公司