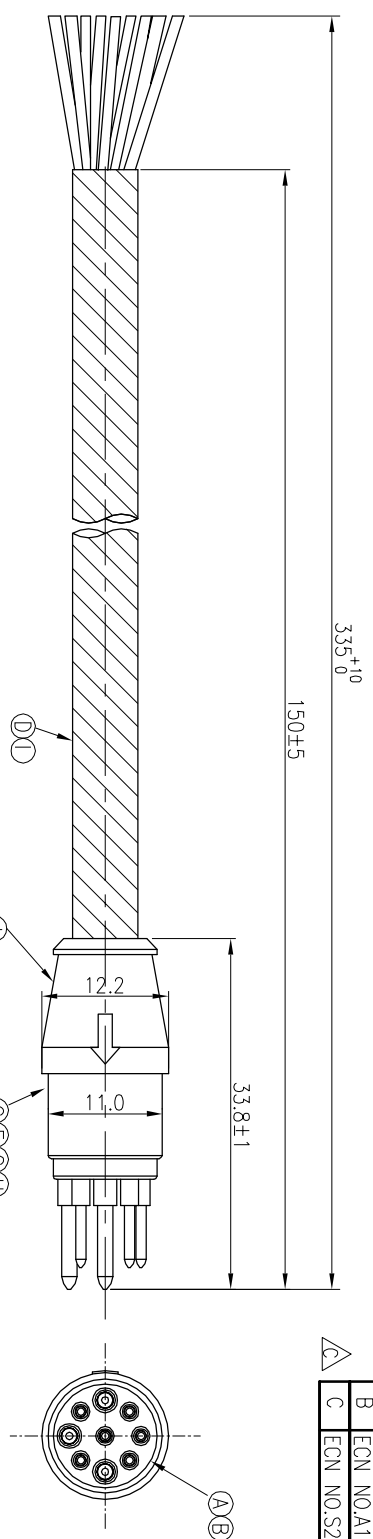
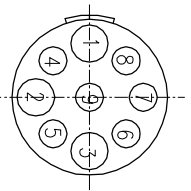


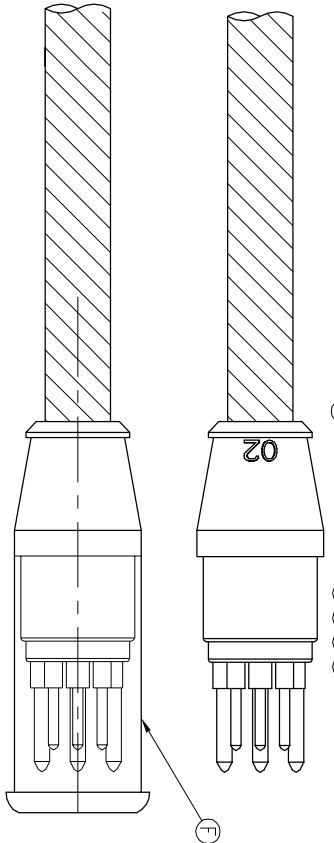
REV	ECN NO	OR DESCRIPTION	REVISED	DATE
A	PDR NO.:S160114-11B		Wcky	2016.04.11
B	ECN NO:A190501-C		Wcky	2019.06.11
C	ECN NO:S202101-E10		LEI	2021.03.29



9	BLACK
8	RED
7	BLUE
6	YELLOW
5	GREEN
4	WHITE
3	GREEN(1.2 <sup>2</sup> )
2	BLUE(1.2 <sup>2</sup> )
1	YELLOW(1.2 <sup>2</sup> )
CONN.1 WIRE COLOR	
PIN OUT	



- NOTES:
1. WATERPROOF RATE: IP65
  2. CURRENT RATING: 10A+5A
  3. CONTACT RESISTANCE: 3 Ohm Max.
  4. HI-POT TEST 800V AC, 5mA(1SEC)
  5. INSULATION RESISTANCE: 30Mohm MIN. BY 500V DC
  6. SPECIFICATIONS:SEE "E-BIKE SERIES SPECIFICATIONS".
  7. TO CONFORM TO THE SINGATRON HAZARDOUS SUBSTANCE FREE SPEC.
  8. GREEN PRODUCT IDENTIFICATION LABEL ON PACKAGING:



J	ACETATE CLOTH TAPE	1	/	BLACK
I	PVC TUBE	1	D:4.27mm	BLACK
H	SHRINK TUBE	3	∅2.5mm 300V	BLACK
G	SHRINK TUBE	6	∅1.5mm 300V	BLACK
F	CAP	1	PE	BLACK
E	INNER MOLD	1	PVC	BLACK
D	WIRE	9	1.2*3C&0.2*6C	SEE "PIN OUT"
C	OVER MOLD	1	TPU	BLACK
B	MALE PIN	9	BRASS	1~3μ" GOLD PLATING OVER NICKEL PLATING
A	BODY	1	PA66	BLACK

NO	DESCRIPTION	QTY	MATERIAL	PLATING & COLOR
A	BODY	1	PA66	BLACK
B	MALE PIN	9	BRASS	1~3μ" GOLD PLATING OVER NICKEL PLATING
C	OVER MOLD	1	TPU	BLACK
D	WIRE	9	1.2*3C&0.2*6C	SEE "PIN OUT"
E	INNER MOLD	1	PVC	BLACK
F	CAP	1	PE	BLACK
G	SHRINK TUBE	6	∅1.5mm 300V	BLACK
H	SHRINK TUBE	3	∅2.5mm 300V	BLACK
I	PVC TUBE	1	D:4.27mm	BLACK
J	ACETATE CLOTH TAPE	1	/	BLACK

UNLESS OTHERWISE SPECIFIED TOLERANCES		ANGLES:	
DECIMALS:			
X	:±0.5	X	:±2°
X.X	:±0.3	X.X	:±1°
X.XX	:±0.2		

TITLE	Suzhou Singatron Auto Electronics CO.,LTD. 蘇州信譽汽車電子有限公司	
DMW	LEI	PART NO.2EB3024-W097A0H
CHKD	Cerry	SCALE 2:1 UNIT: mm
APVD	William	SIZE: A3 SHEET:1 OF 1 REV: C

CUSTOMER COPY