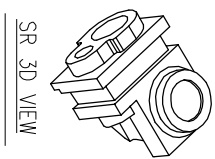
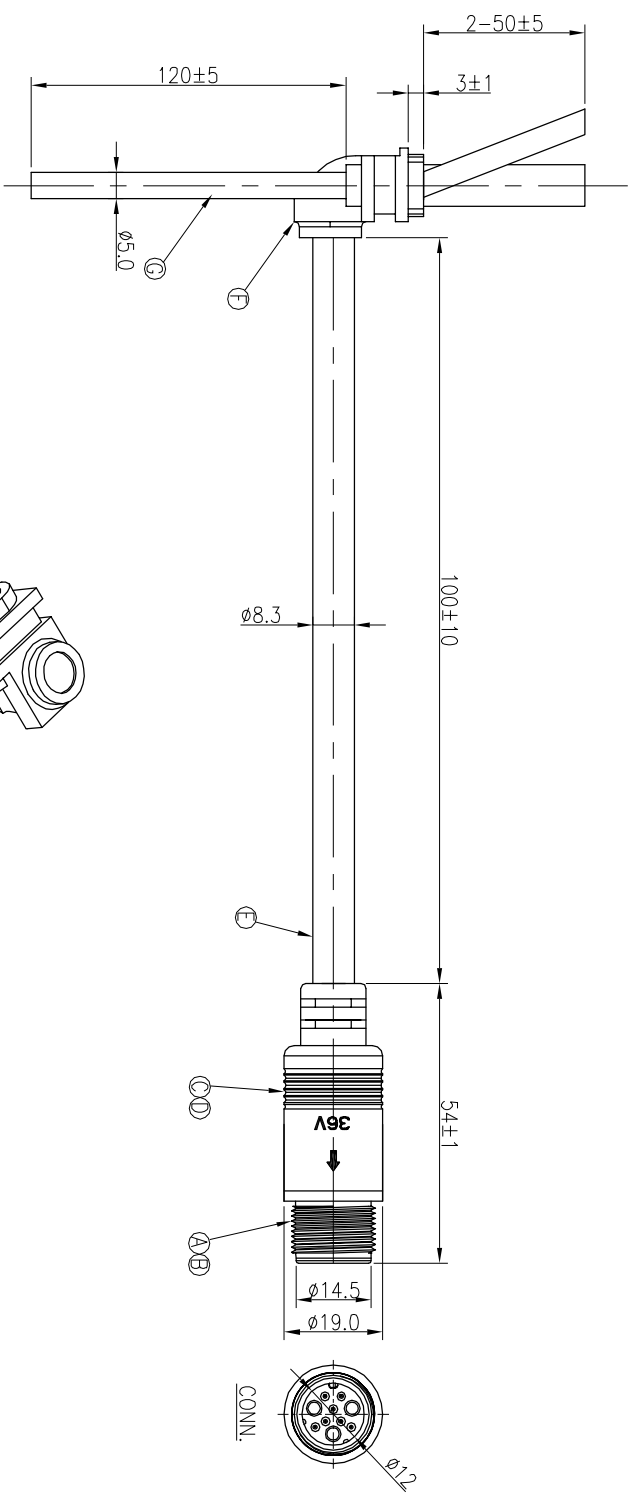
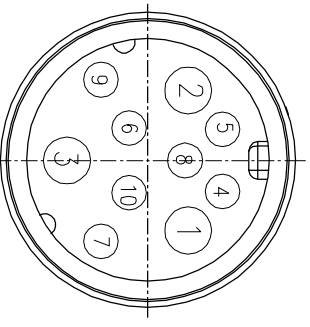


REV.	ECN NO.	OR DESCRIPTION	REVISED	DATE
A	PDR NO.:S140701-1A	Shown	2016.11.10	



SR 3D VIEW

D	CONN	WIRE COLOR	PIN OUT
10	/		
9	RED		
8	BLACK		
7	BLUE		
6	WHITE		
5	GREEN		
4	YELLOW		
3	GREEN(18#)		
2	BLUE(18#)		
1	YELLOW(18#)		



- NOTES:
1. RATING:2A (SMALL PIN)
20A (LARGE PIN)
 2. OTHER GENERAL SPEC. TO REFER "M16 E-BIKE SERIES SPEC".
 3. TO CONFORM TO SINGATRON HAZARDOUS SUBSTANCE FREE SPEC.
 4. GREEN PRODUCT IDENTIFICATION LABEL ON PACKAGING: **G.P. Pass**

G	CABLE	1	UL 2464 26#*4C	BLACK
F	S/R	1	PVC	BLACK
E	CABLE	1	UL2464 (16#*3C+AL 24#*7C)+AL OD8.3	BLACK
D	OVER MOLD	1	PVC	BLACK
C	INNER MOLD	1	PVC	BLACK
B	MALE PIN	10	BRASS	1~3u" GOLD FLASH OVER NICKEL PLATING
A	BODY	1	PC	BLACK
NO	DESCRIPTION	QTY	MATERIAL	PLATING & COLOR
UNLESS OTHERWISE SPECIFIED TOLERANCES				
DECIMALS: ANGLES:				
X	:±0.5	X	:±2°	
X.X	:±0.3	X.X	:±1'	
X.XX	:±0.2			
Singatron Enterprise Co., Ltd. 信營企業股份有限公司				
TITLE: E-BIKE SIZE (P65) MALE CONN. MALE(3+7)PIN SOLDER TYPE				
DWN	Shown	PART NO.	2EB3024-W10E03H	
CHKD	Yang	SCALE	1:1	UNIT: mm
APVD	Horlen	SIZE: A3	SHEET: 1 OF 1	REV: A

CUSTOMER COPY