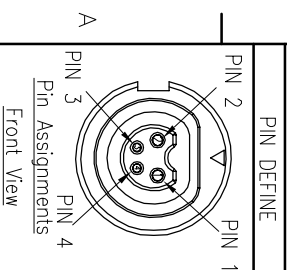
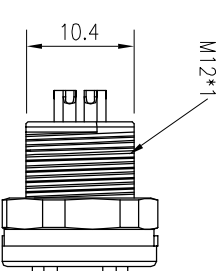
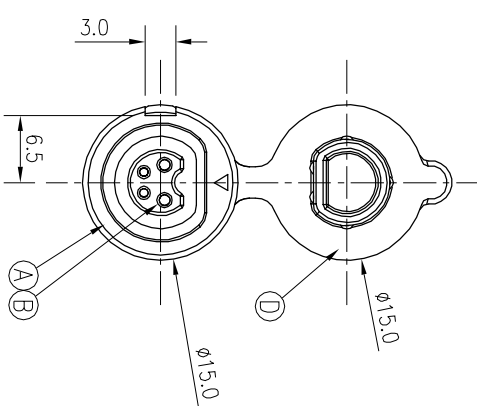
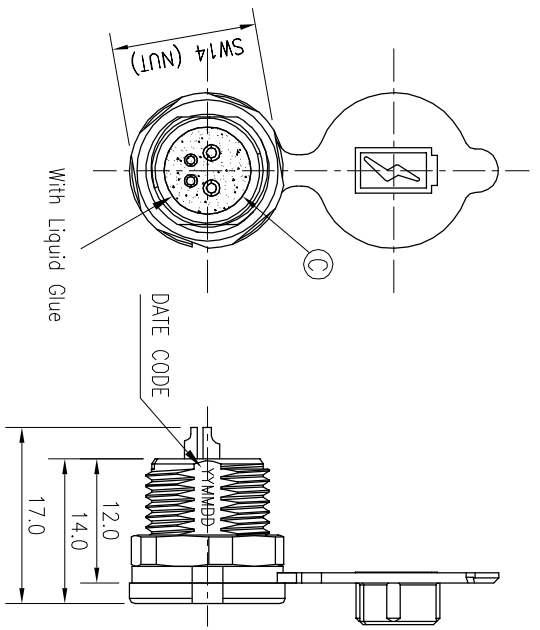
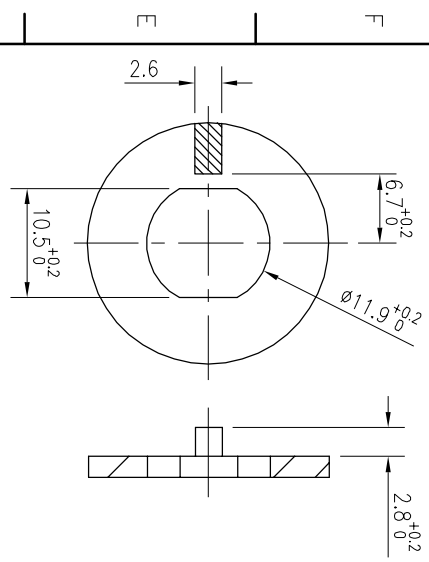
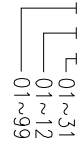


REV.	EGN NO OR DESCRIPTION	REVISED	DATE
A	PDR NO.:T220524-1B	Jun	2023.02.02



- NOTES:
1. WATERPROOF RATE: IP66
 2. TEST CONDITIONS:
 - 2-1. CURRENT RATING: 5A+2A.
 - 2-2. TEMPERATURE RANGE: -20°C TO +80°C .
 - 2-3. CONDUCT RESISTANCE: 50 mOhm Max.
 - 2-4. HI-POT TEST 500VAC,5mA(1MINUTE)
 - 2-5. INSULATION RESISTANCE: 100MOhm Min. BY 500 VDC
 3. TO CONFORM TO SINGATRON HAZARDOUS SUBSTANCE FREE SPEC.
 4. GREEN PRODUCT IDENTIFICATION LABEL ON PACKAGING:
 5. DATE CODE:YYMMDD



E	NUT	1	BRASS	NICKEL PLATING
D	CAP	1	SILICONE	BLACK
C	LIQUID GLUE	1	N/A	BLACK
B	FEMALE PIN	4	BRASS	GOLD PLATING OVER NICKEL PLATING
A	BODY	1	PLASTIC	BLACK
NO	DESCRIPTION	QTY	MATERIAL	PLATING & COLOR
UNLESS OTHERWISE SPECIFIED TOLERANCES				
Suzhou Singatron Auto Electronics CO.,LTD. 苏州信益汽车电子有限公司				
DECIMALS: ANGLES:				
X	:±0.5	X	:±1°	
X.X	:±0.3	X.X	:±0.5°	
X.XX	:±0.2			
TITLE E-BIKE SERIES 4 PIN FEMALE CONN.				
DWN	Jun	PART NO.2EB3044-W04700H		
CHKD	JF	SCALE 2:1	UNIT: mm	
APVD	Steve	SIZE: A3	SHEET:1 OF 1	REV: A
CUSTOMER COPY				