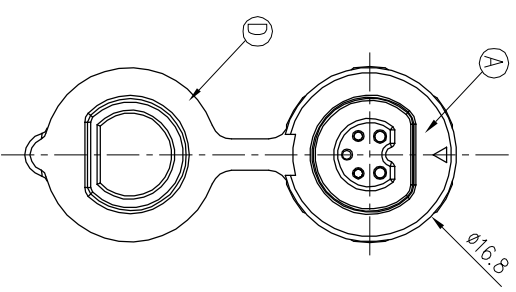
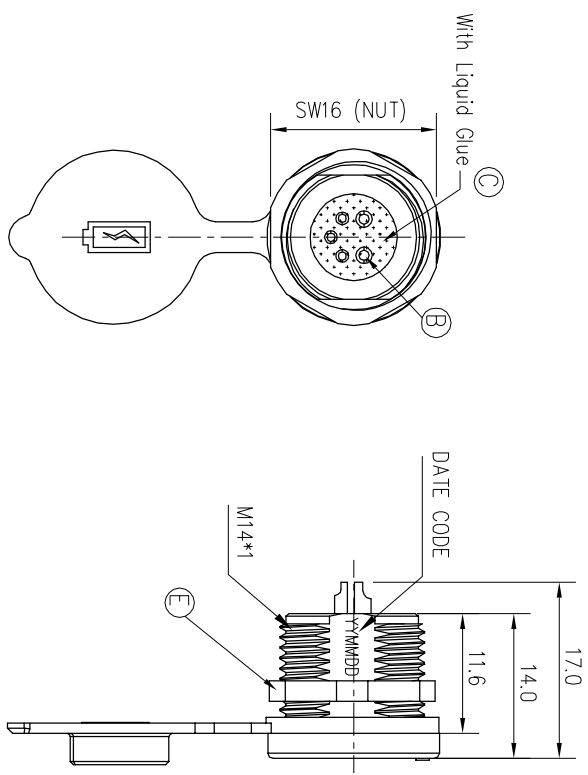
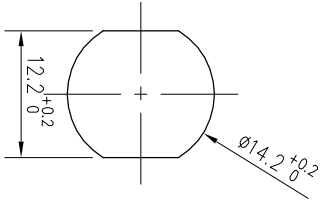
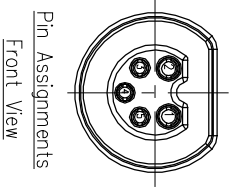


RECOMMENDED PANEL CUT-OUT
 PANEL THICKNESS: 3.0Max.



- NOTES:
1. WATERPROOF RATE: IP66
 2. TEST CONDITIONS:
 - 2-1. CURRENT RATING: 5A+2A
 - 2-2. TEMPERATURE RANGE: -20°C TO +80°C
 - 2-3. CONDUCT RESISTANCE: 50 mΩmax
 - 2-4. HI-POT TEST 500VAC, 5mA(1MINUTE)
 - 2-5. INSULATION RESISTANCE: 100MΩmin. BY 500 VDC
 3. TO CONFORM TO SINGATRON HAZARDOUS SUBSTANCE FREE SPEC.
 4. GREEN PRODUCT IDENTIFICATION LABEL ON PACKAGING:



PIN OUT

Pin Assignments
 Front View

REV/ECN NO OR DESCRIPTION	REVISED	DATE
A PDR NO. T190429-1A	CERRY	2020.05.13

E	NUT	1	BRASS	NICKEL PLATING
D	CAP	1	SILICONE	BLACK
C	LIQUID GLUE	1	N/A	BLACK
B	FEMALE PIN	5	BRASS	GOLD PLATING OVER NICKEL PLATING
A	BODY	1	PLASTIC	BLACK
NO	DESCRIPTION	QTY	MATERIAL	PLATING & COLOR
UNLESS OTHERWISE SPECIFIED TOLERANCES				
Singatron Enterprise Co., Ltd. 信晉企業股份有限公司				
DECIMALS: ANGLES:				
X	:±0.5	X	:±2°	
XX	:±0.3	XX	:±1°	
XXX	:±0.2			
TITLE: E-BIKE SERIES 5 PIN FEMALE CONN.				
DWM	CERRY	PART NO. 2EB3044-W05800H		
CHKD	WILLIAM	SCALE 2:1	UNIT: mm	
APVD	WILLIAM	SIZE: A3	SHEET: 1 OF 1	REV: A
CUSTOMER COPY				