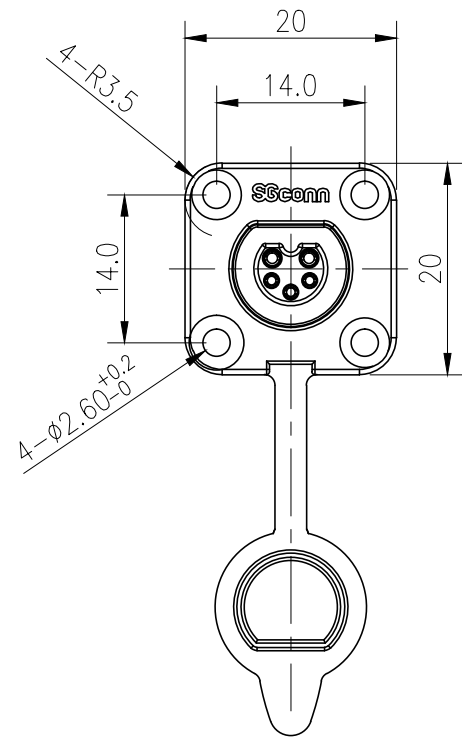
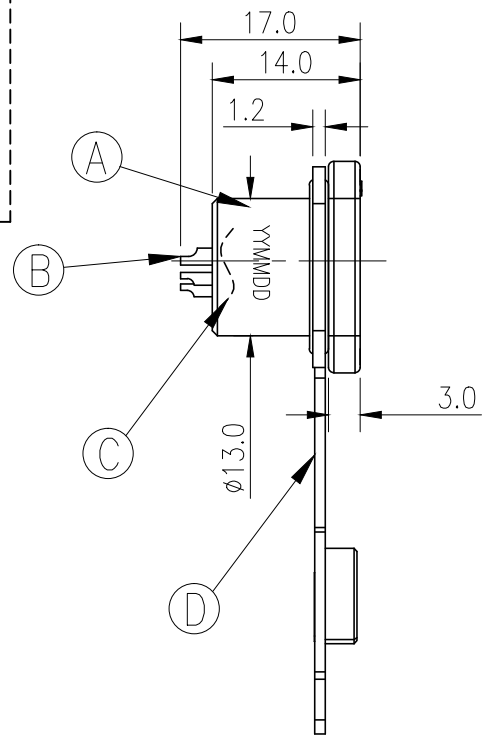
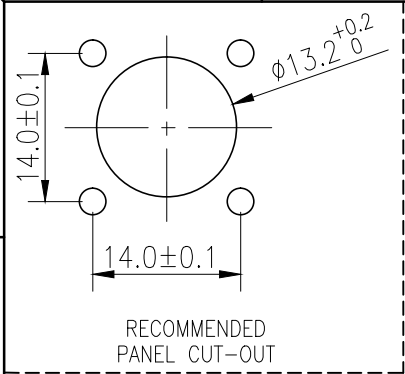


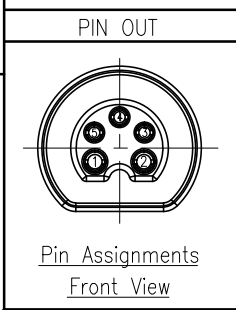
REV.	ECN NO OR DESCRIPTION	REVISED	DATE
A	PDR NO. T190909-2A	Vincent	2020.03.27



MATCH SCREW M2.5

NOTES:

1. WATERPROOF RATE: IP66
2. TEST CONDITIONS:
  - 2-1. CURRENT RATING: 5A+2A.
  - 2-2. TEMPERATURE RANGE: -20°C TO +80°C .
  - 2-3. CONDUCT RESISTANCE: 50 mOhm Max.
  - 2-4. HI-POT TEST 500VAC,5mA(1MINUTE)
  - 2-5. INSULATION RESISTANCE: 100MOhm MIN. BY 500 VDC
3. TO CONFORM TO SINGATRON HAZARDOUS SUBSTANCE FREE SPEC.
4. GREEN PRODUCT IDENTIFICATION LABEL ON PACKAGING: **G.P. PASS**



D	CAP	1	SLICONE	BLACK
C	LIQUID GLUE	1	N/A	BLACK
B	FEMALE PIN	5	BRASS	GOLD PLATING OVER NICKEL PLATING
A	BODY	1	PLASTIC	BLACK
NO	DESCRIPTION	QTY	MATERIAL	PLATING & COLOR
UNLESS OTHERWISE SPECIFIED TOLERANCES		Singatron Enterprise Co., Ltd. 信音企業股份有限公司		
DECIMALS:		TITLE		
X	:±0.5	E-BIKE SERIES 5 PIN FEMALE CONN.		
X.X	:±0.3	DWN	Vincent	<b>PART NO.2EB3044-W05801H</b>
X.XX	:±0.2	CHKD	Cerry	SCALE 2:1 UNIT: mm
		APVD	William	SIZE: A3 SHEET: 1 OF 1 REV: A
<b>CUSTOMER COPY</b>				