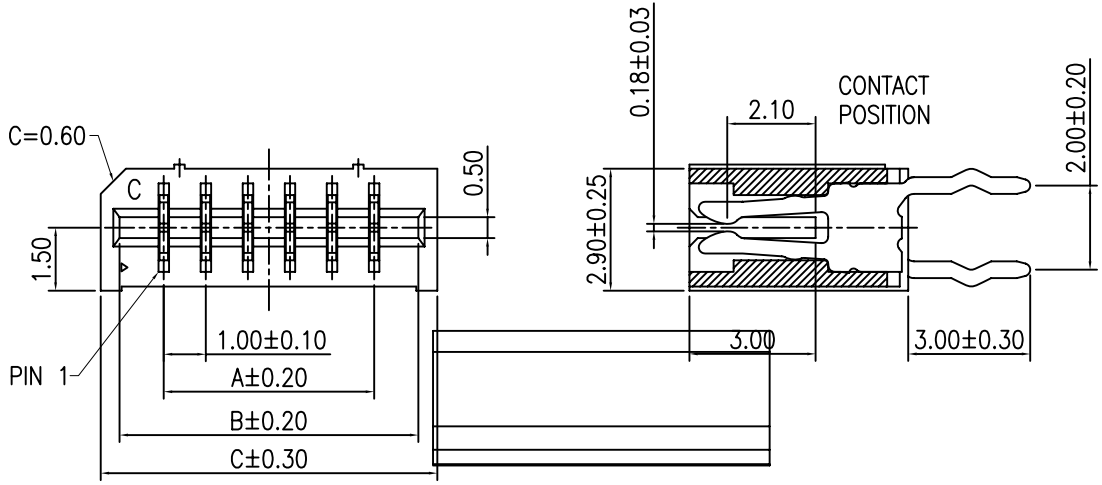


REV	ECN.NO.	REVISIONS	REV.DRAWN	DATE
D		整理发行	CHEN	05-09/30
E		修正电镀规格说明	Yuqilong	07-02/14
F		默认公差整理发行	Yuqilong	07-06/25



SPECIFICATIONS

- . Voltage Rating : 50V AC/DC
- . Current Rating : 0.5A AC/DC
- . Withstanding Voltage : 500V AC/minute
- . Insulation Resistance ; 1,000M Ωmin
- . Temperature Range : -40°C to +105°C
- . Contact Resistance : 30m Ωmax

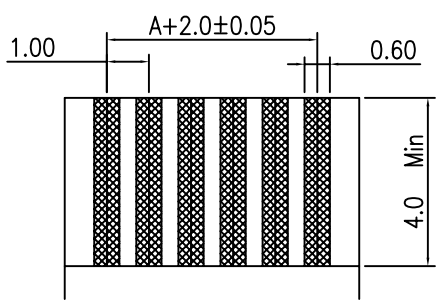
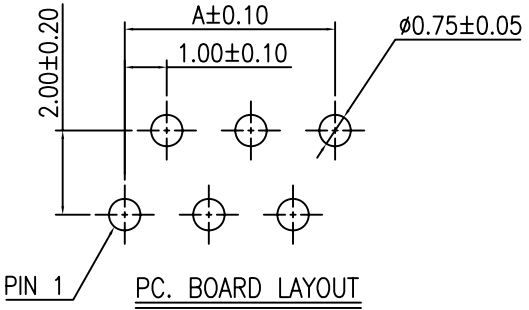
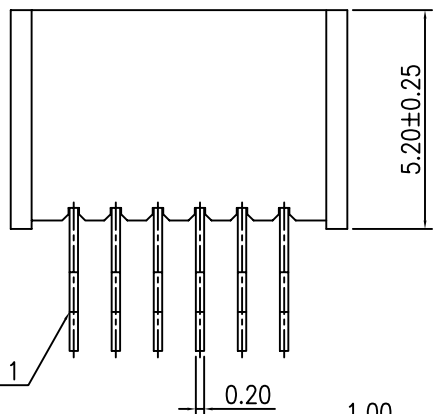
FEATURES

FFC/FPC CONNECTOR

. Part No.: 2FF1156-XX XX

- T1: Sn>50u Ni>30u
- Blank & T2: Sn>100u Ni>30u
- G0: Flash Ni>30u
- G1: Au>3u Ni>30u
- G2: Au>5u Ni>30u
- G3: Au>10u Ni>45u

- . Poles : 2~30
- . Material : Contact : Phos.Bronze,Tin Plated, Gold Plated
- Base : Nylon PA9T UL 94V-0
- . Q'ty : pcs/Tape



POLES	DIMENSIONS			POLES	DIMENSIONS		
	A	B	C		A	B	C
2	1.00	3.10	4.00	16	15.00	17.10	18.00
3	2.00	4.10	5.00	17	16.00	18.10	19.00
4	3.00	5.10	6.00	18	17.00	19.10	20.00
5	4.00	6.10	7.00	19	18.00	20.10	21.00
6	5.00	7.10	8.00	20	19.00	21.10	22.00
7	6.00	8.10	9.00	21	20.00	22.10	23.00
8	7.00	9.10	10.00	22	21.00	23.10	24.00
9	8.00	10.10	11.00	23	22.00	24.10	25.00
10	9.00	11.10	12.00	24	23.00	25.10	26.00
11	10.00	12.10	13.00	25	24.00	26.10	27.00
12	11.00	13.10	14.00	26	25.00	27.10	28.00
13	12.00	14.10	15.00	27	26.00	28.10	29.00
14	13.00	15.10	16.00	28	27.00	29.10	30.00
15	14.00	16.10	17.00	29	28.00	30.10	31.00
				30	29.00	31.10	32.00

Singatron Enterprise Co., Ltd.

x.± 0.50	x'.± 5.00'
.x± 0.30	.x'.± 2.00'
.xx± 0.20	.xx'.± 1.00'
.xxx± 0.10	.xxx'.± 0.50'

TITLE	FFC/FPC CONNECTORS		
DWN	Yuqilong	PART NO. 2FF1156-XX XX	
CHKD	XIWF1	SCALE 1:1	UNIT: mm
APVD		SIZE: A3	SHEET:1 OF 1
REV: F			
CUSTOMER COPY			