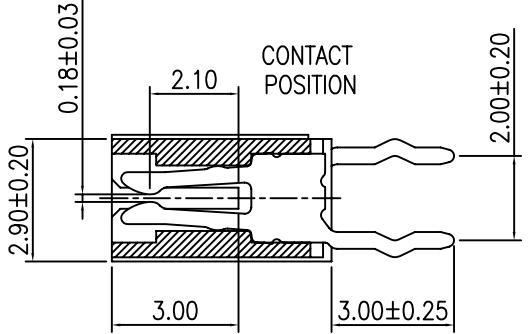
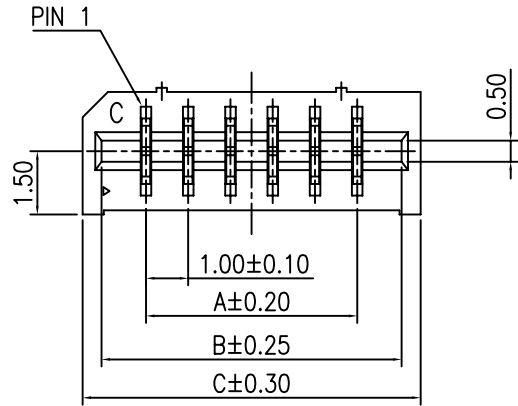


REV	ECN.NO.	REVISIONS	REV.DRAWN	DATE
D		整理发行	CHEN	05-09/30
E		重新整理默认公差发行	Yuqilong	07-06/25
F		整理图面	sunquan	13-02/26
G		更正电气性能	Zuochao	14-06/25

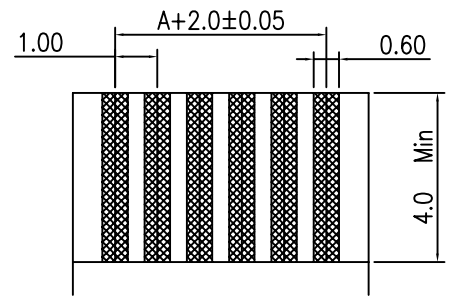
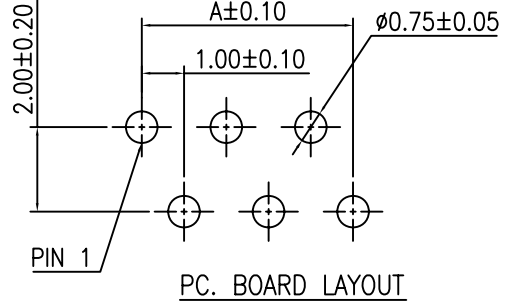
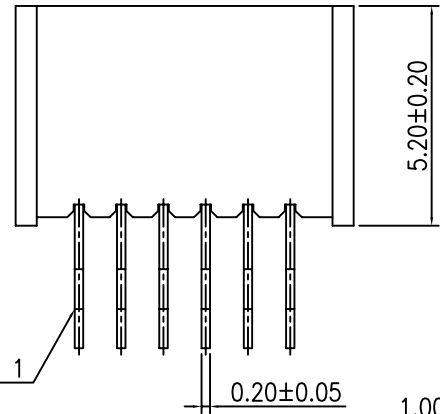


SPECIFICATIONS

- . Voltage Rating : 50V AC/DC
- . Current Rating : 0.5A AC/DC
- . Withstanding Voltage : 500V AC/minute
- . Insulation Resistance : 1,000MΩ min
- . Temperature Range : -25°C to +85°C
- . Contact Resistance : 30mΩ max

FEATURES

- FFC/FPC CONNECTOR
- . Part No. : 2FF1156S-XXXX
 - . Poles : 2~30
 - . Blank: Tin Plated
 - . G0: Gold Plated
 - . Material : Contact : Phos.Bronze, Tin Plated/Gold Plated
 - . Base : Nylon PA9T UL 94V-0
 - . Q'ty : pcs/Tape



RECOMMEND APPLICABLE FPC LAYOUT
THICKNESS 0.30±0.03

POLES	DIMENSIONS			POLES	DIMENSIONS		
	A	B	C		A	B	C
2	1.00	3.10	4.00	16	15.00	17.10	18.00
3	2.00	4.10	5.00	17	16.00	18.10	19.00
4	3.00	5.10	6.00	18	17.00	19.10	20.00
5	4.00	6.10	7.00	19	18.00	20.10	21.00
6	5.00	7.10	8.00	20	19.00	21.10	22.00
7	6.00	8.10	9.00	21	20.00	22.10	23.00
8	7.00	9.10	10.00	22	21.00	23.10	24.00
9	8.00	10.10	11.00	23	22.00	24.10	25.00
10	9.00	11.10	12.00	24	23.00	25.10	26.00
11	10.00	12.10	13.00	25	24.00	26.10	27.00
12	11.00	13.10	14.00	26	25.00	27.10	28.00
13	12.00	14.10	15.00	27	26.00	28.10	29.00
14	13.00	15.10	16.00	28	27.00	29.10	30.00
15	14.00	16.10	17.00	29	28.00	30.10	31.00
				30	29.00	31.10	32.00

Singatron Enterprise Co., Ltd.

TITLE	FFC/FPC CONNECTORS		
DWN	Yuqilong	PART NO. 2FF1156S-XX	
CHKD		SCALE 1:1	UNIT: mm
APVD		SIZE: A3	SHEET: 1 OF 1 REV: G

CUSTOMER COPY

x.± 0.50	.x°± 5.00°
.x± 0.30	.x°± 2.00°
.xx± 0.20	.xx°± 1.00°
.xxx± 0.10	.xxx°± 0.50°