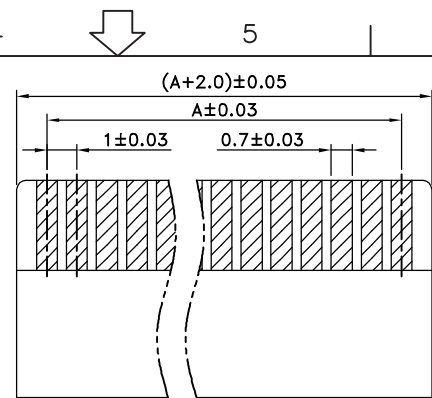


RECOMMENDED PCB LAYOUT



RECOMMENDED FPC/FFC DIMENSION

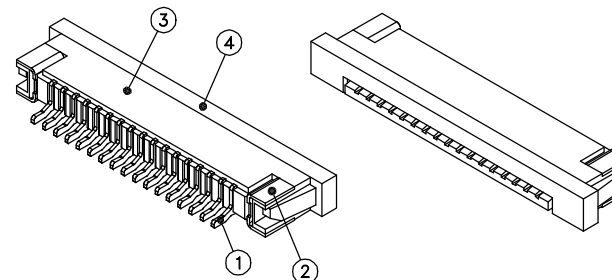
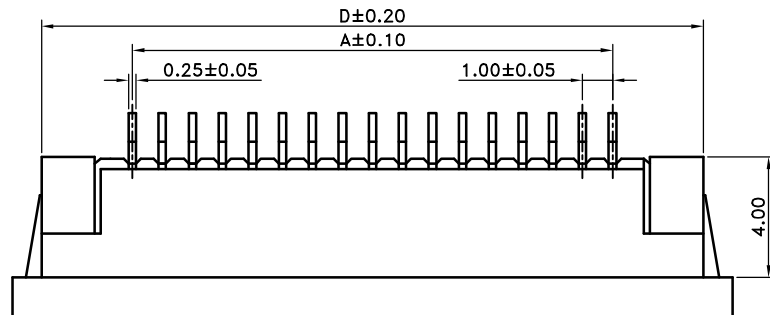
■ SPECIFICATIONS

- Current Rating : 0.5A AC/DC
- Withstanding Voltage : 200V AC/minute
- Insulation Resistance : 500mΩ min
- Temperature Range : - 25°C to + 85°C
- Contact Resistance : 30mΩ max

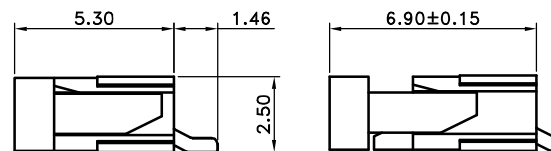
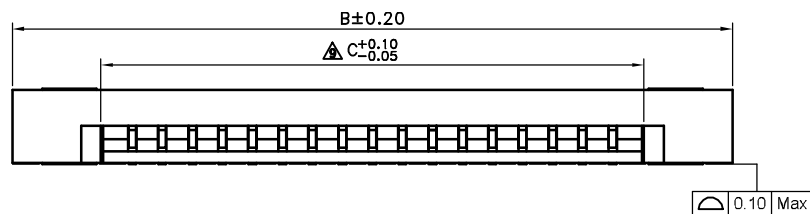
■ FFC/FPC

- Part No. : 2FF1157D- XX (X)
- Product Code ① ②
- ① Poles : 04~30
- ② Plated : Blank : Tin Plated
G : Glod Flash

- Material :
 1. Contact : Phos. Bronze
 2. Solder Nail : Phos. Bronze, Tin Plated
 3. Base : LCP UL94V-0, Color: Nature
 4. Actuator : LCP UL94V-0, Color: Black
- Q' ty : 1,500 pcs./Tape & Reel



3D VIEW



ACTUATOR ID OPENED

Poles	Dimension			
	A	B	C	D
4	3.00	11.00	5.10	9.05
5	4.00	12.00	6.10	10.05
6	5.00	13.00	7.10	11.05
7	6.00	14.00	8.10	12.05
8	7.00	15.00	9.10	13.05
9	8.00	16.00	10.10	14.05
10	9.00	17.00	11.10	15.05
11	10.00	18.00	12.10	16.05
12	11.00	19.00	13.10	17.05
13	12.00	20.00	14.10	18.05
14	13.00	21.00	15.10	19.05
15	14.00	22.00	16.10	20.05
16	15.00	23.00	17.10	21.05
17	16.00	24.00	18.10	22.05
18	17.00	25.00	19.10	23.05
19	18.00	26.00	20.10	24.05
20	19.00	27.00	21.10	25.05
21	20.00	28.00	22.10	26.05
22	21.00	29.00	23.10	27.05
23	22.00	30.00	24.10	28.05
24	23.00	31.00	25.10	29.05
25	24.00	32.00	26.10	30.05
26	25.00	33.00	27.10	31.05
27	26.00	34.00	28.10	32.05
28	27.00	35.00	29.10	33.05
29	28.00	36.00	30.10	34.05
30	29.00	37.00	31.10	35.05

TOLERANCE	LTR	REVISION RECORD	NAME	DATE
.0	±0.30	修改C尺寸公差及增加3D視圖	王誠賢	2010/12/23
.00	±0.20	尺寸變動	王誠賢	2012/02/01
.000	±0.10	增加Layout位置尺寸	周慈雲	2012/07/26
ANGLE		修正Solder Nail 材質	吳弘文	2013/01/21
0°	±1°	修正產品外觀	吳弘文	2014/09/03
.0°	±	依規格書修定耐電壓	吳弘文	2015/06/23
SHEET	1/1	新增鍍金選項	Eddie	2018/10/16

Singatron Enterprise Co., Ltd.

TITLE	1.00mm FPC/FFC CONNECTOR, SIDE ENTRY & LOWER CONTACT (H=2.5mm)		
DWN	Eddie	PART NO. 2FF1157D-XX(X)	
CHKD	Erin Chou	SCALE 1:1	UNIT: mm
APVD	Tom Shih	SIZE: A3	SHEET: 1 OF 1 REV: 014

CUSTOMER COPY