

REV.	ECN.NO	REVISIONS	REV.DRAWN	DATE
N	----	修改料号编码	Asimo	2010/06/29
O	10066	修改A尺寸公差	hejihuai	2010/08/17
P	----	图面整理	sunquan	2010/09/20

SPECIFICATION

- . Voltage Rating : 50V AC/DC
- . Current Rating : 0.5A AC/DC
- . Withstanding Voltage : 500V AC/Minute
- . Insulation Resistance : 100MΩ Min.
- . Temperature Range : -40°C~+85°C
- . Contact Resistance : 20mΩ Max.

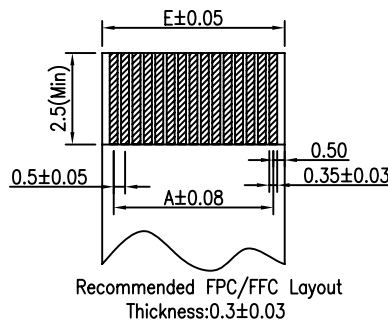
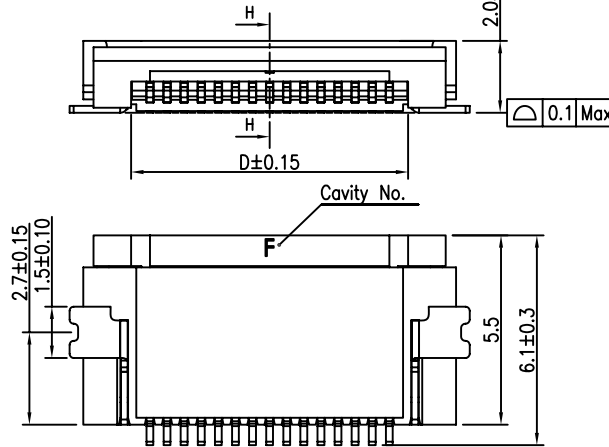
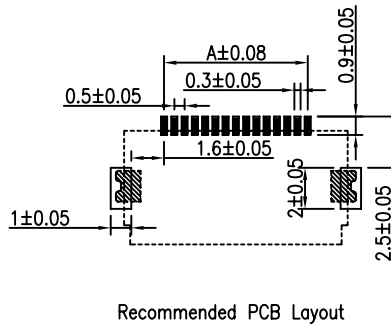
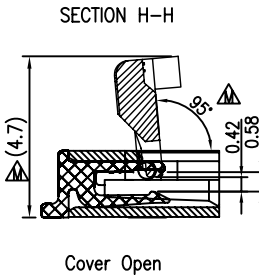
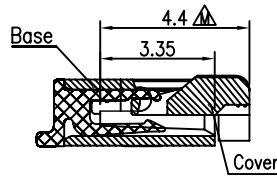
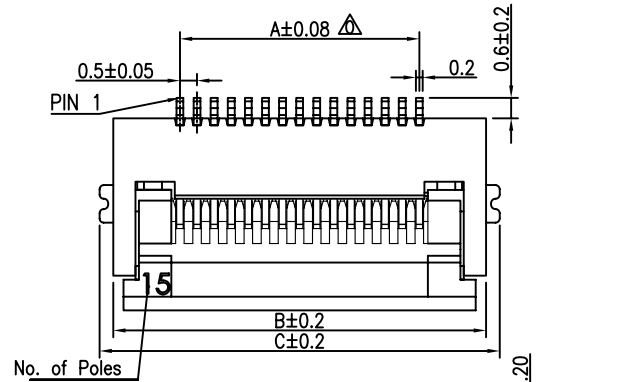
NOTES:

1. Material: Base&Cover: High Temp Thermoplastic, UL94V-0
Contact: Copper Alloy; Ear: Copper Alloy
2. Color: Base: Nature; Cover: Black
3. Q'ty : 2,000 Pcs/Reel.
4. Part No.

2FF1191DR-XX-XX-XX
 Poles: 4~61
 Blank: Tin Plated
 (M): Matte Sn
 G: Gold Plated
 Blank: Normal
 NH: Halogen free

5. Halogen free product identification LOGO on the packing

Poles	Dimensions (mm)					Poles	Dimensions (mm)				
	A	B	C	D	E		A	B	C	D	E
04	1.50	5.40	6.20	2.60	2.50	33	16.00	19.90	20.70	17.10	17.00
05	2.00	5.90	6.70	3.10	3.00	34	16.50	20.40	21.20	17.60	17.50
06	2.50	6.40	7.20	3.60	3.50	35	17.00	20.90	21.70	18.10	18.00
07	3.00	6.90	7.70	4.10	4.00	36	17.50	21.40	22.20	18.60	18.50
08	3.50	7.40	8.20	4.60	4.50	37	18.00	21.90	22.70	19.10	19.00
09	4.00	7.90	8.70	5.10	5.00	38	18.50	22.40	23.20	19.60	19.50
10	4.50	8.40	9.20	5.60	5.50	39	19.00	22.90	23.70	20.10	20.00
11	5.00	8.90	9.70	6.10	6.00	40	19.50	23.40	24.20	20.60	20.50
12	5.50	9.40	10.20	6.60	6.50	41	20.00	23.90	24.70	21.10	21.00
13	6.00	9.90	10.70	7.10	7.00	42	20.50	24.40	25.20	21.60	21.50
14	6.50	10.40	11.20	7.60	7.50	43	21.00	24.90	25.70	22.10	22.00
15	7.00	10.90	11.70	8.10	8.00	44	21.50	25.40	26.20	22.60	22.50
16	7.50	11.40	12.20	8.60	8.50	45	22.00	25.90	26.70	23.10	23.00
17	8.00	11.90	12.70	9.10	9.00	46	22.50	26.40	27.20	23.60	23.50
18	8.50	12.40	13.20	9.60	9.50	47	23.00	26.90	27.70	24.10	24.00
19	9.00	12.90	13.70	10.10	10.00	48	23.50	27.40	28.20	24.60	24.50
20	9.50	13.40	14.20	10.60	10.50	49	24.00	27.90	28.70	25.10	25.00
21	10.00	13.90	14.70	11.10	11.00	50	24.50	28.40	29.20	25.60	25.50
22	10.50	14.40	15.20	11.60	11.50	51	25.00	28.90	29.70	26.10	26.00
23	11.00	14.90	15.70	12.10	12.00	52	25.50	29.40	30.20	26.60	26.50
24	11.50	15.40	16.20	12.60	12.50	53	26.00	29.90	30.70	27.10	27.00
25	12.00	15.90	16.70	13.10	13.00	54	26.50	30.40	31.20	27.60	27.50
26	12.50	16.40	17.20	13.60	13.50	55	27.00	30.90	31.70	28.10	28.00
27	13.00	16.90	17.70	14.10	14.00	56	27.50	31.40	32.20	28.60	28.50
28	13.50	17.40	18.20	14.60	14.50	57	28.00	31.90	32.70	29.10	29.00
29	14.00	17.90	18.70	15.10	15.00	58	28.50	32.40	33.20	29.60	29.50
30	14.50	18.40	19.20	15.60	15.50	59	29.00	32.90	33.70	30.10	30.00
31	15.00	18.90	19.70	16.10	16.00	60	29.50	33.40	34.20	30.60	30.50
32	15.50	19.40	20.20	16.60	16.50	61	30.00	33.90	34.70	31.10	31.00



Singatron Enterprise Co., Ltd.				
TITLE	0.50mm ZIF FPC Connectors			
DWN	liuzhiwen	PART NO. 2FF1191DR-XX		
CHKD	2010-09-21	SCALE 1:1	UNIT: mm	④
APVD	Asimo	SIZE: A3	SHEET: 1 OF 1	REV: P
CUSTOMER COPY				

30~	±0.35	.X*	±2
20~30	±0.25	.X*	±1*
10~20	±0.15	.XX*	±0.5*
0~10	±0.10	.XXX*	±0.2*