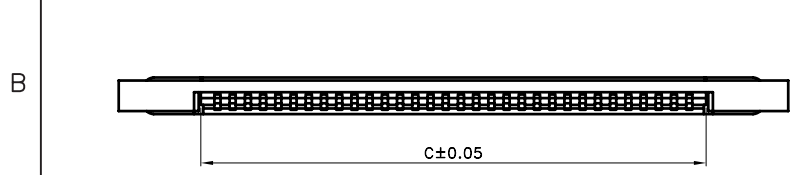
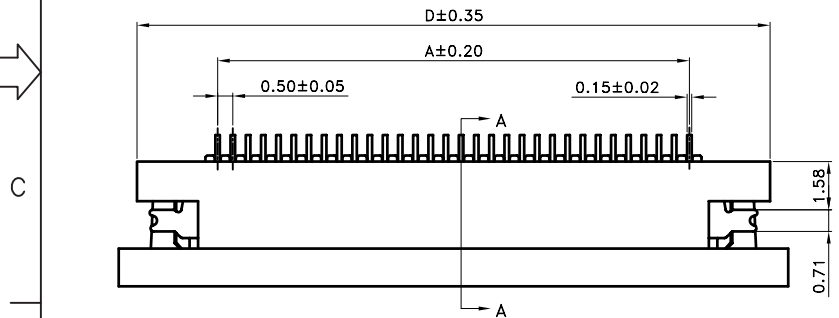
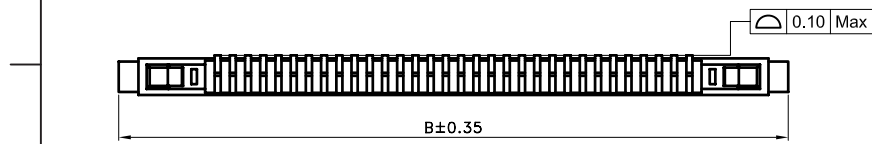


RECOMMENDED P.C.B. LAYOUT



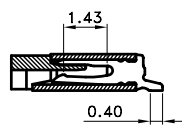
**■ SPECIFICATIONS**

- Current Rating : 0.5 A AC/DC
- Voltage Rating : 50V AC/DC
- Withstanding Voltage : 200V AC/minute
- Insulation Resistance : 500MΩ min.
- Temperature Range : -55°C to +85°C
- Contact Resistance : 30mΩ max.

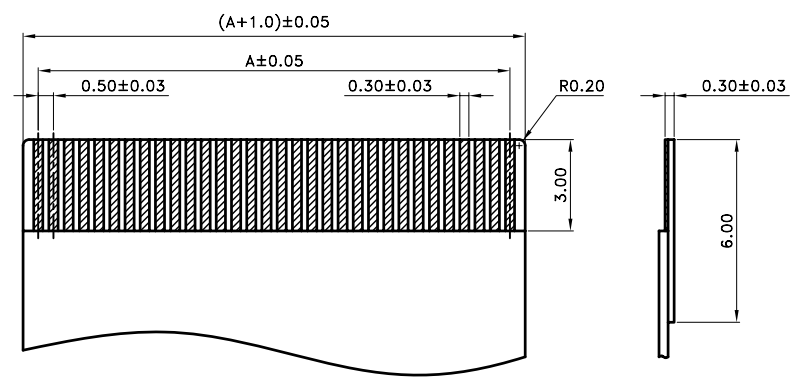
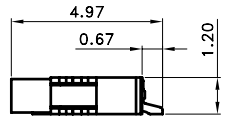
**■ 0.5mm FPC CONNECTOR**

- Part No. : 2FF1191DS-XX
- Poles : 04~60
- Material :
  1. Contact : Phosphor Bronze
  2. Fitting Nail : Brass
  3. Housing : LCP UL94V-0
  4. Cover : LCP UL94V-0
- Plated :
  1. Contact : Matte-Tin Plated
  2. Fitting Nail : Matte-Tin Plated
- Q' ty : 2,000 pcs./Reel

Poles	Dimensions (mm)				Poles	Dimensions (mm)			
	A	B	C	D		A	B	C	D
4	1.50	8.00	2.60	6.80	33	16.00	22.50	17.10	21.30
5	2.00	8.50	3.10	7.30	34	16.50	23.00	17.60	21.80
6	2.50	9.00	3.60	7.80	35	17.00	23.50	18.10	22.30
7	3.00	9.50	4.10	8.30	36	17.50	24.00	18.60	22.80
8	3.50	10.00	4.60	8.80	37	18.00	24.50	19.10	23.30
9	4.00	10.50	5.10	9.30	38	18.50	25.00	19.60	23.80
10	4.50	11.00	5.60	9.80	39	19.00	25.50	20.10	24.30
11	5.00	11.50	6.10	10.30	40	19.50	26.00	20.60	24.80
12	5.50	12.00	6.60	10.80	41	20.00	26.50	21.10	25.30
13	6.00	12.50	7.10	11.30	42	20.50	27.00	21.60	25.80
14	6.50	13.00	7.60	11.80	43	21.00	27.50	22.10	26.30
15	7.00	13.50	8.10	12.30	44	21.50	28.00	22.60	26.80
16	7.50	14.00	8.60	12.80	45	22.00	28.50	23.10	27.30
17	8.00	14.50	9.10	13.30	46	22.50	29.00	23.60	27.80
18	8.50	15.00	9.60	13.80	47	23.00	29.50	24.10	28.30
19	9.00	15.50	10.10	14.30	48	23.50	30.00	24.60	28.80
20	9.50	16.00	10.60	14.80	49	24.00	30.50	25.10	29.30
21	10.00	16.50	11.10	15.30	50	24.50	31.00	25.60	29.80
22	10.50	17.00	11.60	15.80	51	25.00	31.50	26.10	30.30
23	11.00	17.50	12.10	16.30	52	25.50	32.00	26.60	30.80
24	11.50	18.00	12.60	16.80	53	26.00	32.50	27.10	31.30
25	12.00	18.50	13.10	17.30	54	26.50	33.00	27.60	31.80
26	12.50	19.00	13.60	17.80	55	27.00	33.50	28.10	32.30
27	13.00	19.50	14.10	18.30	56	27.50	34.00	28.60	32.80
28	13.50	20.00	14.60	18.80	57	28.00	34.50	29.10	33.30
29	14.00	20.50	15.10	19.30	58	28.50	35.00	29.60	33.80
30	14.50	21.00	15.60	19.80	59	29.00	35.50	30.10	34.30
31	15.00	21.50	16.10	20.30	60	29.50	36.00	30.60	34.80
32	15.50	22.00	16.60	20.80					



SECTION A-A



RECOMMENDED FPC/FFC DIMENSION

TOLERANCE	LTR	REVISION RECORD	NAME	DATE
.0	±0.30	▲ 修改產品尺寸	王誠賢	2011/12/20
.00	±0.20	▲ 修改額定電流	張逸維	2013/04/08
.000	±0.10	▲		
<b>ANGLE</b>				
0°	±1°	▲		
.0°	±	▲		
SHEET	1/1	▲		

Singatron Enterprise Co., Ltd.

TITLE	0.50mm SMT ZIF FPC CONNECTOR, RIGHT-ANGLE & LOWER CONTACT TYPE		
DWN	張逸維	PART NO.	2FF1191DS-XX
CHKD	黃科源	SCALE 1:1	UNIT: mm
APVD	張育瑞	SIZE: A3	SHEET: 1 OF 1 REV: a2
CUSTOMER COPY			