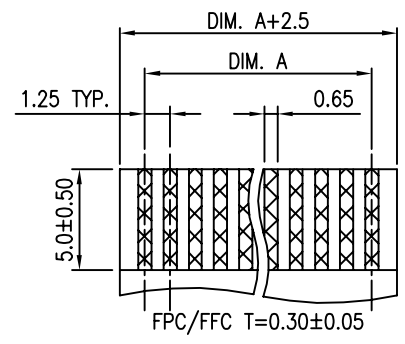
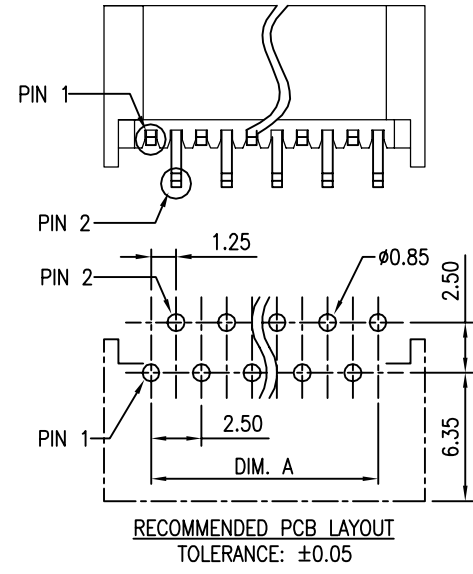


NOTE:  
 1. MATERIAL:  
 HOUSING: HIGH-TEMP, UL94V-0; COLOR: BLACK.  
 CONTACT: COPPER ALLOY.  
 2. FINISH:  
 CONTACT AREA: TIN(BRIGHT) PLATING 100 μ" THICKNESS MIN.  
 SOLDERING AREA: TIN(BRIGHT) PLATING 100 μ" THICKNESS MIN.;  
 UNDER PLATING: NICKEL PLATING 50 μ" THICKNESS MIN.  
 3. PRODUCT SPECIFICATION: PS-FPC-11  
 4. PACKAGING SPECIFICATION: GFP31104001

PART NO. 2GFP-321231-2 XX02 G  
 Series No. | Packaging  
 2: Tube  
 No. Of Contact  
 XX: 04P ~ 35P



POS.	DIMENSION			POS.	DIMENSION		
	A	B	C		A	B	C
4	3.75	6.30	8.40	20	23.75	26.30	28.40
5	5.00	7.55	9.65	21	25.00	27.55	29.65
6	6.25	8.80	10.90	22	26.25	28.80	30.90
7	7.50	10.05	12.15	23	27.50	30.05	32.15
8	8.75	11.30	13.40	24	28.75	31.30	33.40
9	10.00	12.55	14.65	25	30.00	32.55	34.65
10	11.25	13.80	15.90	26	31.25	33.80	35.90
11	12.50	15.05	17.15	27	32.50	35.05	37.15
12	13.75	16.30	18.40	28	33.75	36.30	38.40
13	15.00	17.55	19.65	29	35.00	37.55	39.65
14	16.25	18.80	20.90	30	36.25	38.80	40.90
15	17.50	20.05	22.15	31	37.50	40.05	42.15
16	18.75	21.30	23.40	32	38.75	41.30	43.40
17	20.00	22.55	24.65	33	40.00	42.55	44.65
18	21.25	23.80	25.90	34	41.25	43.80	45.90
19	22.50	25.05	27.15	35	42.50	45.05	47.15

REV	ECN NO.	NAME	DATE	TOLERANCE	
				LINEAR	ANGLES
J	15013	Terry	Apr,27,2015	LINEAR	ANGLES
I	12047	Willson	Sep,10,2012	X.±0.40	X'±
H	10004	Willson	Jan,25,2010	.X±0.30	.X'±
G	08073	Eric	Nov,25,2008	.XX±0.20	.XX'±
REV	ECN NO.	NAME	DATE	.XXX±0.10	.XXX'±

Singatron Enterprise Co., Ltd.

TITLE	FPC/FFC 1.25 PITCH NON ZIF ENTRY UPPER CONTACT CONNECTOR		
DWN	Terry	PART NO. 2GFP-321231-2XX02G	
CHKD	Schumi	SCALE 1:1	UNIT: mm
APVD	Jason	SIZE: A3	SHEET: 1 OF 1 REV: J

**CUSTOMER COPY**