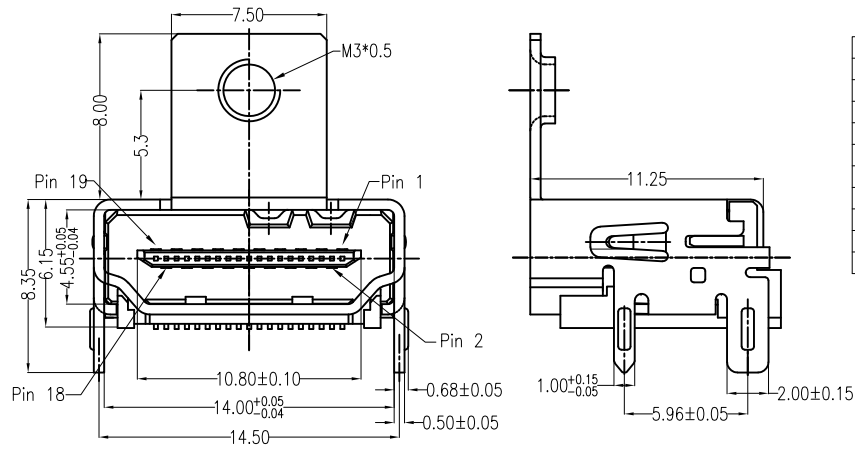
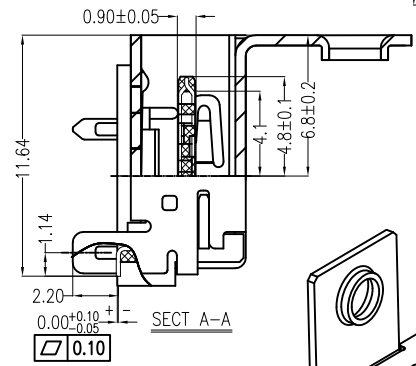
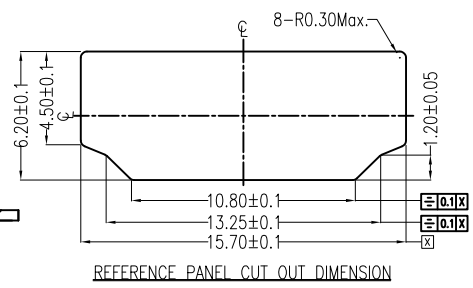


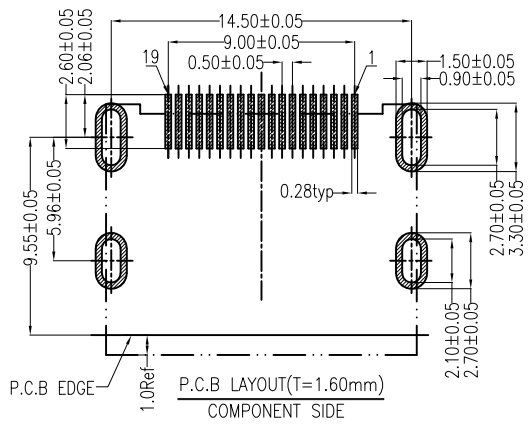
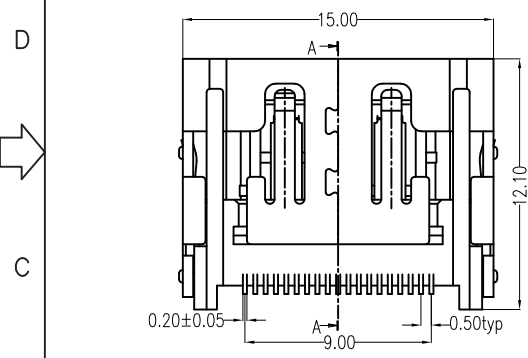
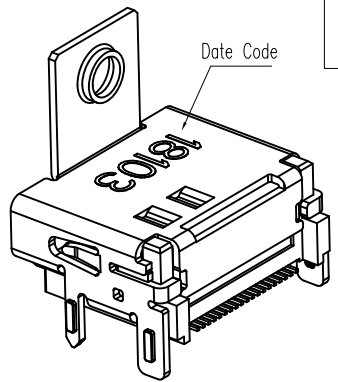
REV.	ECN.NO.	DATE
A	RELEASED	09/05-'18



Pin No.	Signal Name	Pin No.	Signal Name
1	TMDS Data2+	11	TMDS Clock Shield
2	TMDS Data2 Shield	12	TMDS Clock-
3	TMDS Data2-	13	CEC
4	TMDS Data1+	14	Reserved (in cable but N.C. on device)
5	TMDS Data1 Shield	15	SCL
6	TMDS Data1-	16	SDA
7	TMDS Data0+	17	DDC/CEC Ground
8	TMDS Data0 Shield	18	+5V Power
9	TMDS Data0-	19	Hot Plug Detect
10	TMDS Clock+		



DATE CODE DESCRIPTION  
 18 10 3  
 Wednesday  
 10 Weeks  
 Year



NOTES:

\*Material

Housing: LCP, UL 94V-0 Rated; Color: Black.  
 Shield: Brass.  
 Plating: Ni(40u" Min.) Plating .  
 Contact: Brass.  
 Plating: Au plating on contact area;  
 Sn(100u" Min.) plating on solder tail;  
 Ni(40u" Min.) underplating overall.

\*Electrical Specification

Operation Voltage: 40 VAC max.  
 Current Rating: 0.5 Ampere per contact  
 Contact Resistance: 10 mΩ max.  
 Insulation Resistance: 100 MΩ min.  
 Dielectric Withstanding Voltage: 500 VAC

\*Environmental

Operating Temperature: -55°C to +85°C

\*How To Order

2HE-019-R5S-C0  
 C:With Flange(7.5\*8mm)  
 Au F:>0.8u",5:15u",3:30u"  
 Number of Contacts  
 Series NO.

Singatron Enterprise Co., Ltd.			
TITLE	HDMI 2.1 19PIN SMT TYPE With Posts (With Flange-7.5*8mm)		
DWN 09/06-'18	ZXP	PART NO. 2HE-019-R5S-C0	
CHKD 09/07-'18	SHARON	SCALE 1:1	UNIT: mm
APVD 09/13-'18	JASON	SIZE: A3	SHEET:1 OF 1 REV: A
CUSTOMER COPY			

Tolerance Unless Otherwise Specified	
.X	±0.35
.XX	±0.25
.XXX	±0.15
Angle	± 3°