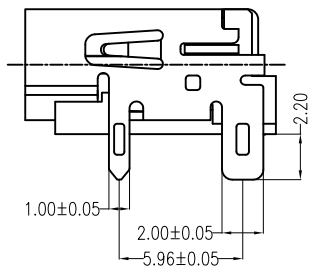
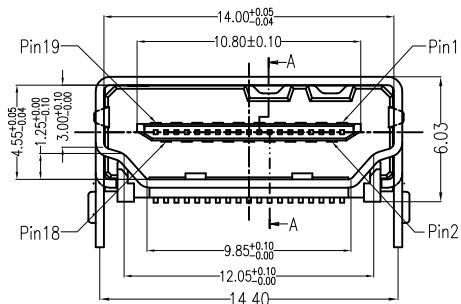


REV.	ECN.NO.	DATE
A	RELEASED	07/20-'12
B	ADD Reel Pack	07/29-'15
C	Modify Drawing	01/12-'16



No.	Signal Name	No.	Signal Name
1	TMDS Data2+	11	TMDS Clock Shield
2	TMDS Data2 Shield	12	TMDS Clock-
3	TMDS Data2-	13	CEC
4	TMDS Data1+	14	Reserved (in cable but N.C. on device)
5	TMDS Data1 Shield	15	SCL
6	TMDS Data1-	16	SDA
7	TMDS Data0+	17	DDC/CEC Ground
8	TMDS Data0 Shield	18	+5V Power
9	TMDS Data0-	19	Hot Plug Detect
10	TMDS Clock+		

NOTES:

***Material**

Housing: LCP, UL 94V-0 Rated; Color: Black.
 Shell: SUS.
 Plating: Ni(50u" Min.) Plating .
 Contact: Brass.
 Plating: Au plating on contact area;
 Sn(100u" Min.) plating on solder tail;
 Ni(40u" Min.) underplating overall.

***Electrical Specification**

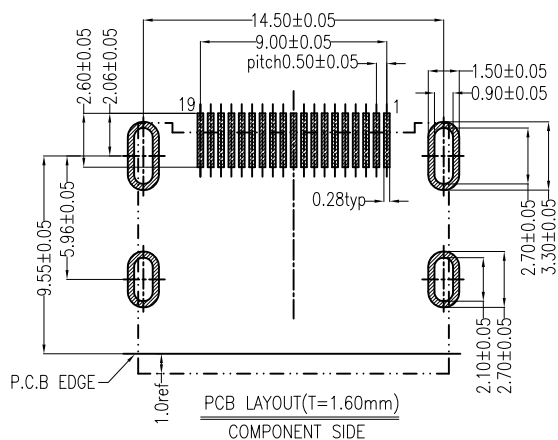
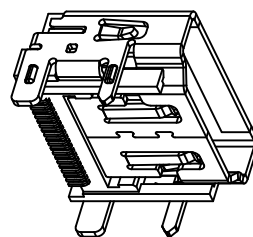
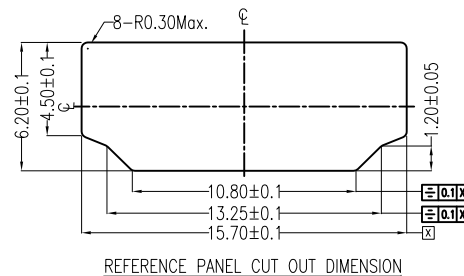
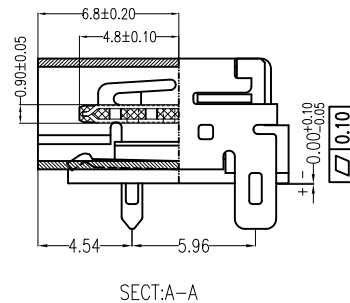
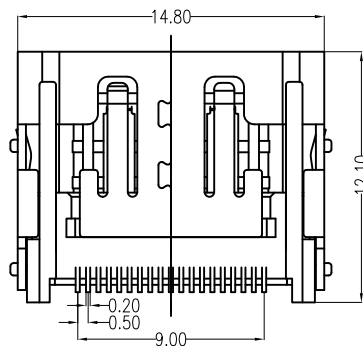
Operation Voltage: 40 VAC Max.
 Current Rating: 0.5 Ampere per contact
 Contact Resistance: 10 mΩ Max.
 Insulation Resistance: 100 MΩ Min.
 Dielectric Withstanding Voltage: 500 VAC

***Environmental**

Operating Temperature: -20°C to +85°C

***How To Order**

2HE-019-R5S-70
 └─ Packing Blank:Tray, R:Reel
 └─ Au F:>0.8u",5:15u",3:30u"
 └─ Number of Contacts
 └─ Series NO.



Tolerance Unless Otherwise Specified	
.X	±0.35
.XX	±0.25
.XXX	±0.15
Angle	± 3°

Singatron Enterprise Co., Ltd.			
TITLE	High Definition Media Interface 19Pin SMT Type(No Posts) (Molding)		
DWN	Mandy 01/12-'16	PART NO. 2HE-019-RxS-70x	
CHKD	Sharon 01/12-'16	SCALE 1:1	UNIT: mm
APVD	Jason 01/12-'16	SIZE: A3	SHEET:1 OF 1 REV: C
CUSTOMER COPY			