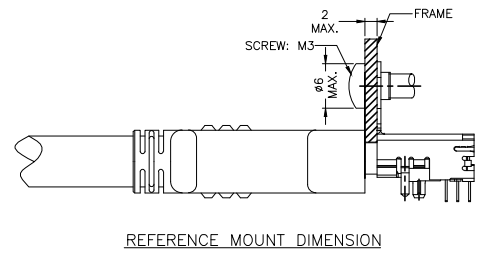
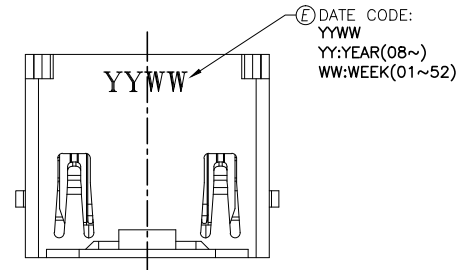


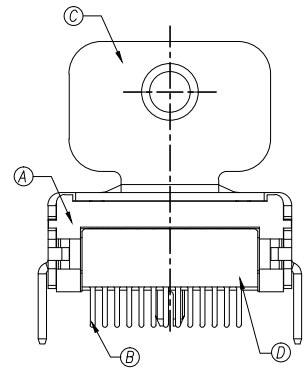
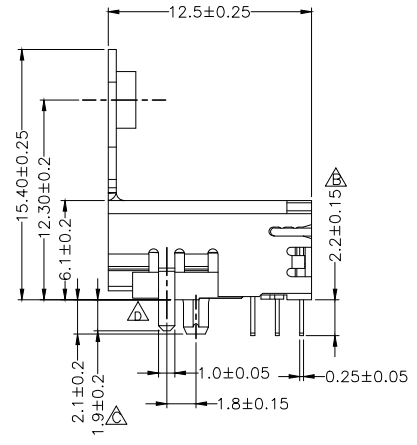
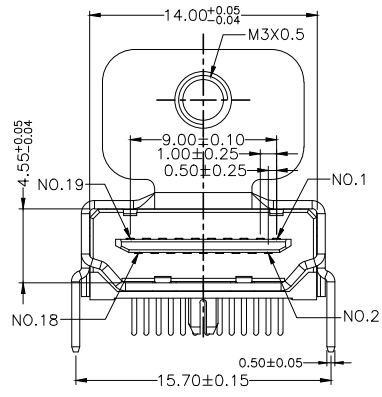
REV.	ECN NO OR DESCRIPTION	REVISED	DATE
A	PDR RELEASE	AMYC	2009.08.26
B	ECN NO:L110146	IVY-C	2011.12.09
C	ECN NO:L120076	IVY-C	2012.07.03
D	ECN NO:L202108-001	EVEN	2022.01.11



REFERENCE MOUNT DIMENSION

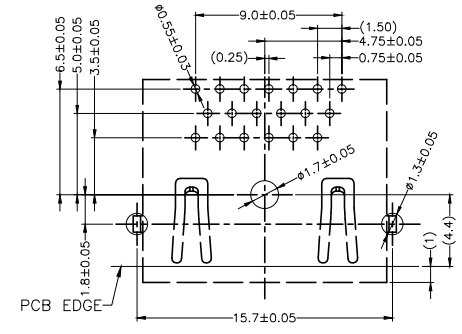
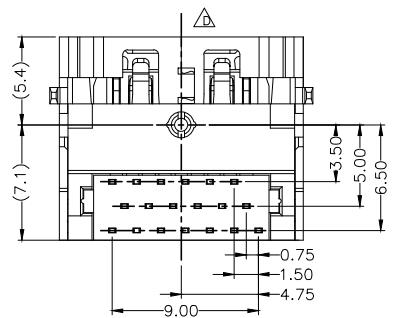
SPECIFICATIONS:

1. OTHER GENERAL SPEC. TO REFER "HDMI SERIES SPEC".
2. TO CONFORM TO SINGATRON HAZARDOUS SUBSTANCE FREE SPEC.
3. PACKAGE : SEE "2HE-51L9 SERIES" PACKAGE.
4. GREEN PRODUCT IDENTIFICATION LABEL ON PACKAGING: **G.P. PASS**
5. FOR REFLOW SOLDERING LEAD-FREE PROCESS.



PART NO.
2HE-51L9-002

SHELL CONSTRUCTION
O: WITH FLANGE AND WITHOUT TOP SPRING



RECOMMENDED PCB LAYOUT
(THICKNESS=1.6±0.15mm)

E	INK	1		BLACK
D	COVER	1	LCP UL 94V-0	BLACK COLOR
C	SHELL	1	PHOSPHOR BRONZE	NICKEL 50u" MIN.
B	CONTACT	19	BRASS_C2680	GOLD FLASH OVER NICKEL 50u" MIN. ON CONTACT AREA AND 100u" MIN. TIN PLATED OVER NICKEL 50u" MIN. ON SOLDER TABS
A	HOUSING	1	LCP UL 94V-0	BLACK COLOR
NO	DESCRIPTION	QTY	MATERIAL	PLATING & COLOR

UNLESS OTHERWISE SPECIFIED TOLERANCES				
DECIMALS:	ANGLES:	TITLE	HDMI RECEPTACLE THROUGH HOLE LOW PROFILE WITH FLANGE	
X :±0.5	X :±2°	DWN	EVEN 2022.01.11 PART NO.2HE-51L9-002	
X.X :±0.3	X.X :±1°	CHKD	SCALE:N/A	UNIT: mm
X.XX :±0.2		APVD	ANGELA 2022.01.11	SIZE: A3 SHEET:1 OF 1 REV: D
CUSTOMER COPY				