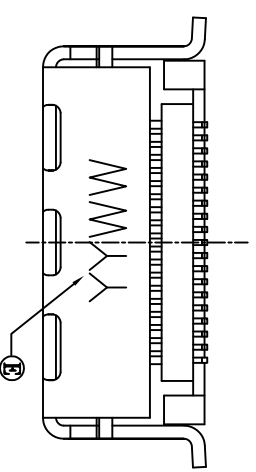
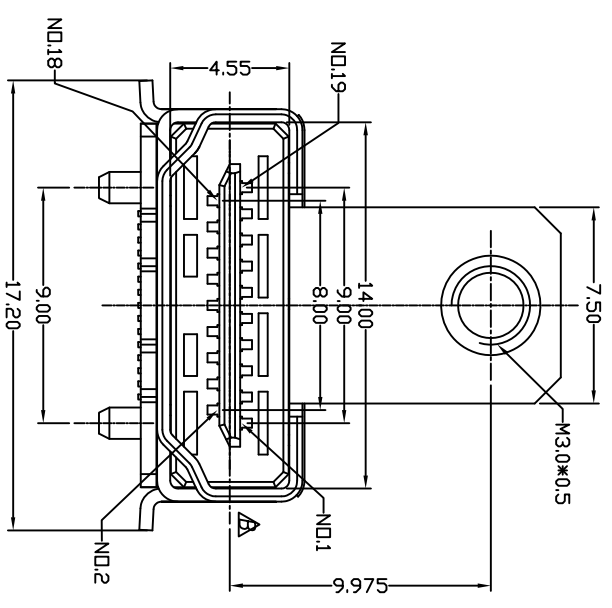
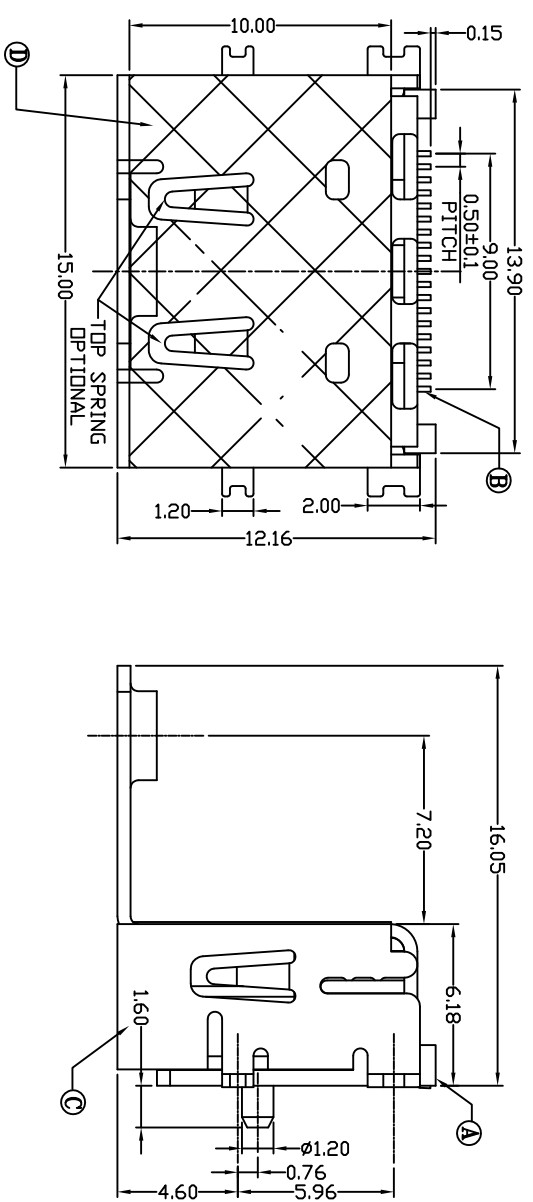


REV.	ECN NO OR DESCRIPTION	REVISED	DATE
A	ECN NO. L100041 2HE-51U1-X01 -- 2HE-51U1-F01	NY-C	2010.06.21
B	ECN NO:L100168	IVY-C	2011.02.24

- SPECIFICATIONS:
1. SEE "2HE-51XX SERIES" SPECIFICATIONS
 2. TO CONFORM TO THE "SE-01-001" & "ROHS DIRECTIVE"
 3. GREEN PRODUCT IDENTIFICATION LABEL IN PACKING: [G.P. PASS]
 4. SOLDER HEAT RESISTANCE : 260°C 10 SECS.
 5. PACKAGE : SEE "2HE-51U1-F01 " PACKAGE.



PART NO.
2HE-51U1-F01

SHELL CONSTRUCTION
1: WITH FLANGE AND TOP SPRING
SOLDER TAIL IS SMT TYPE

NO	DESCRIPTION	QTY	MATERIAL	PLATING & COLOR
E	INK	1		BLACK COLOR
D	MYLAR	1		
C	SHIELDING	1	BRASS 0.5t	NICKEL PLATING
B	CONTACT	19	PHOSPHOR BRONZE 0.2t	AU 30μ ON MATING AREA TIN PLATING ON SOLDER TAILS, ALL OVER NICKEL PLATING.
A	BODY	1	HIGH TEMP. THERMOPLASTIC UL 94V-0	BLACK COLOR

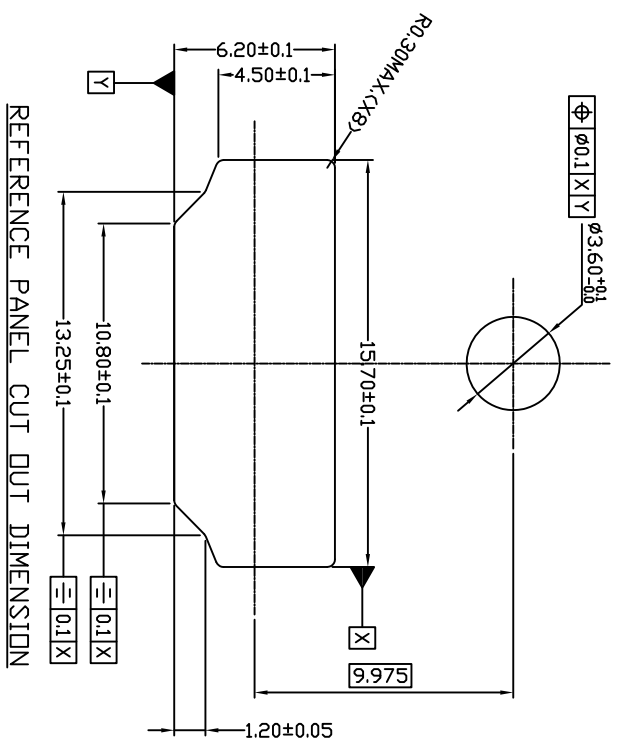
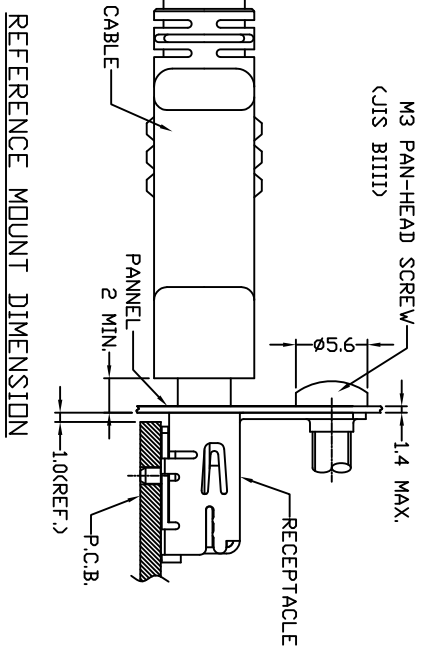
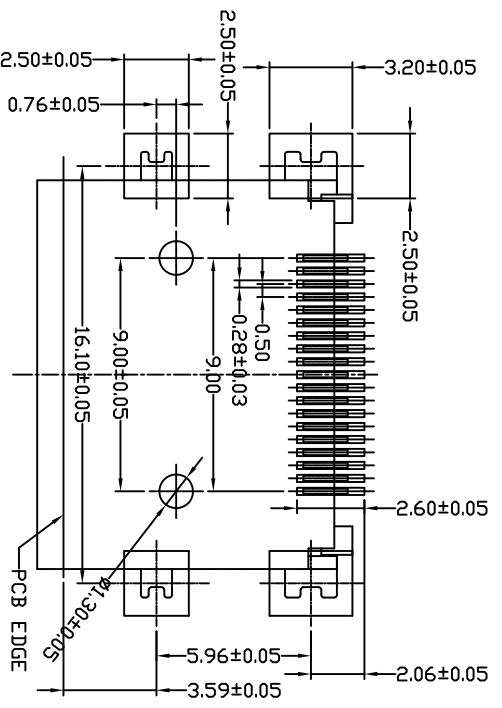
UNLESS OTHERWISE SPECIFIED TOLERANCES

DECIMALS:	ANGLES:
X : ±0.5	X : ±2°
X.X : ±0.3	X.X : ±1'
X.XX : ±0.2	

TITLE	HDMI TYPE A FEMALE, SMT, W/T FLANGE
DWN	W-C 2011.02.24
CHKD	WMD-T 2011.02.24
APVD	WMD-T 2011.02.24
PART NO.	2HE-51U1-F01
SCALE	5/1
UNIT	mm
SIZE	A3
SHEET	1 OF 2
REV	B

Singatron Enterprise Co., Ltd.
信音企業股份有限公司

CUSTOMER COPY



REV.	ECN NO OR DESCRIPTION	REVISED	DATE
A	ECN NO. L100041 2HE-51U1-X01-2HE-51U1-F01	IV-C	2010.06.21
B	ECN NO:L100168	IV-C	2011.02.24

NO	DESCRIPTION	QTY	MATERIAL	PLATING & COLOR
UNLESS OTHERWISE SPECIFIED TOLERANCES				
DECIMALS: X :±0.5 X X :±2 X X X :±0.3 X X X :±1 X X X :±0.2				
ANGLES: X :±2 X X X :±1 X X X :±0.2				
TITLE	HDMI TYPE A FEMALE ,SMT, W/T FLANGE			
DWN	M-4 2011.02.24 PART NO. 2HE-51U1-F01			
CHKD	DMD-H 2011.02.24 SCALE:5/1 UNIT: mm			
APVD	DMD-H 2011.02.24 SIZE: A3 SHEET:2 OF 2 REV: B			

CUSTOMER COPY