

REV.	ECN NO OR DESCRIPTION	REVISED	DATE
A	ECN NO:L100041 2HE-51UX-NX8→2HE-51U1-N08	IVY-C	2010.06.21
B	ECN NO:L110021	IVY-C	2011.03.16
C	ECN NO:L150155	IVY-C	2016.01.04

SPECIFICATIONS:

1. SEE 2HE-51□□ SERIES SPECIFICATIONS
2. TO CONFORM TO THE "SE-01-001" & "ROHS DIRECTIVE"
3. GREEN PRODUCT IDENTIFICATION LABEL IN PACKING: **G.P. PASS**
4. FOR LEAD-FREE PRODUCT.
5. SOLDER HEAT RESISTANCE: 260°C 10SECS.
6. PACKAGE : SEE "2HE-51U1-N02" PACKAGE.
7. VOLTAGE RATING: 40V.



PART NO.

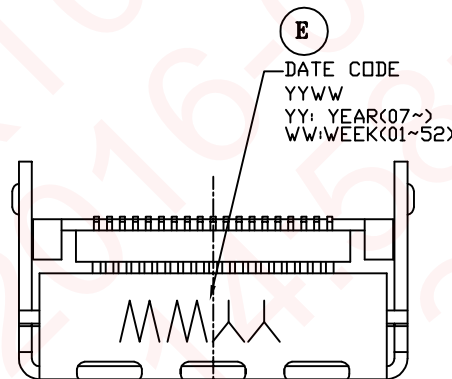
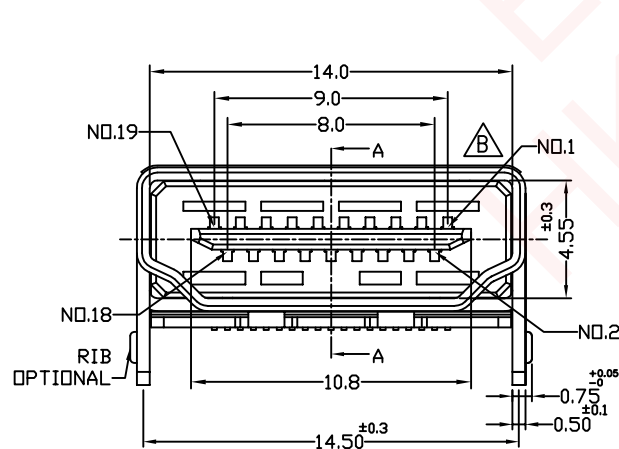
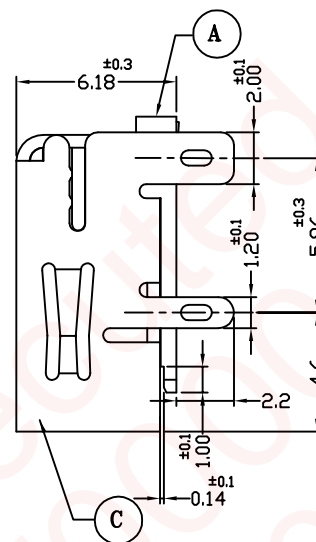
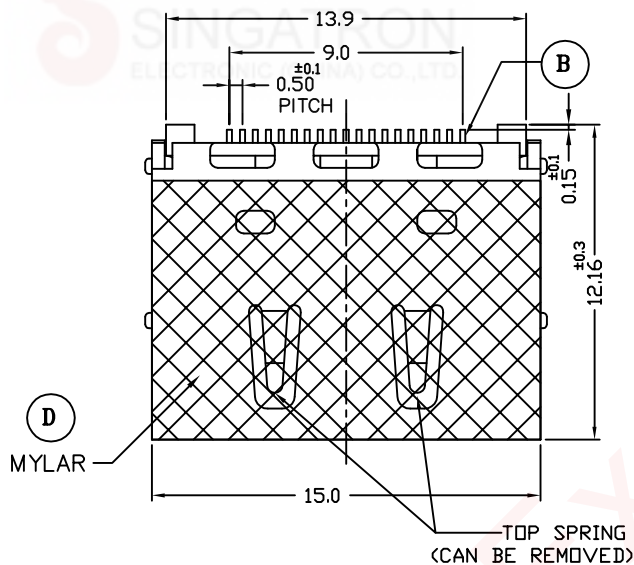
2HE-51U1 -N08

SHELL CONSTRUCTION

0: WITH RIB

SHELL CONSTRUCTION

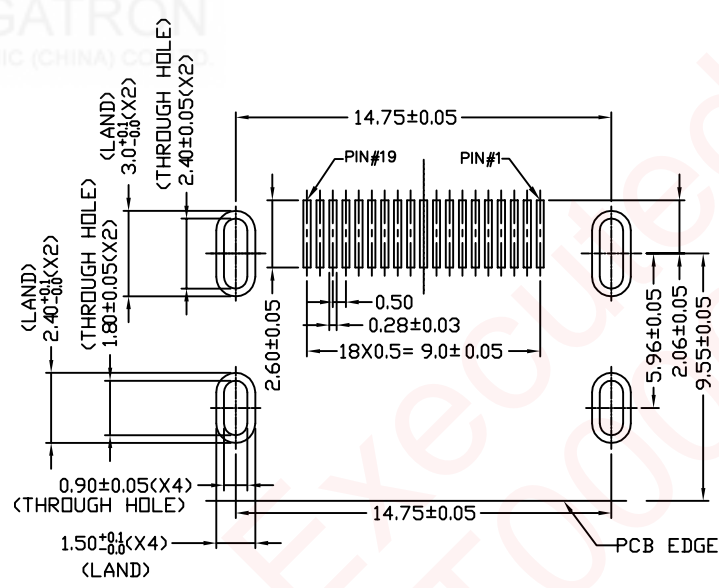
1: WITHOUT FLANGE AND WITH TOP SPRING
SOLDER TAIL IS THROUGH HOLE TYPE



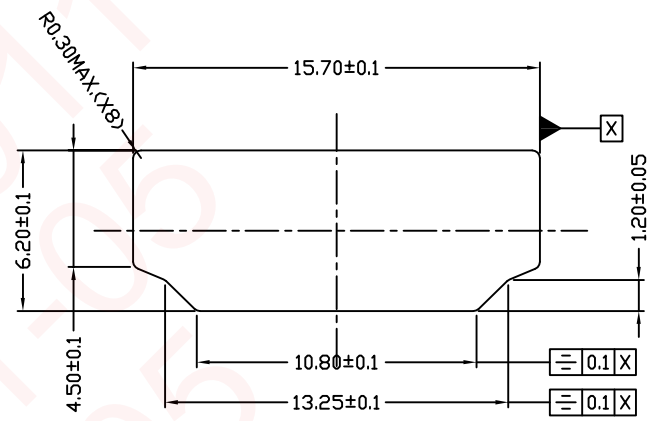
E	INK			BLACK COLOR
D	MYLAR	1		
C	SHIELDING	1	BRASS 0.5t	NICKEL PLATING
B	CONTACT	19	PHOSPHOR BRONZE 0.2t	ALL 30u" GOLD OVER NICKEL
A	BODY	1	HIGH TEMP. THERMOPLASTIC UL 94V-0	BLACK COLOR
NO	DESCRIPTION	QTY	MATERIAL	PLATING & COLOR
UNLESS OTHERWISE SPECIFIED TOLERANCES			Singatron Enterprise Co., Ltd. 信音企業股份有限公司	
DECIMALS:	ANGLES:	TITLE	HDMI TYPE A FEMALE ,SMT ,W/T FLANGE	
X :±0.5	X :±2°	DWN	IVY-C 2016.01.04	PART NO. 2HE-51U1-N08
X.X :±0.3	X.X :±1°	CHKD	ANCELA 2016.01.04	SCALE:5/1 UNIT: mm
X.XX :±0.2		APVD	ANCELA 2016.01.04	SIZE: A3 SHEET:1 OF 2 REV: C
CUSTOMER COPY				



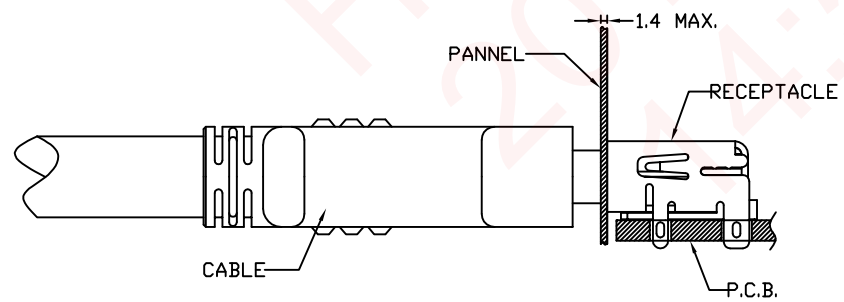
REV.	ECN NO OR DESCRIPTION	REVISED	DATE
A	ECN NO:L100041 2HE-51UX-NX8→2HE-51U1-N08	IVY-C	2010.06.21
B	ECN NO:L110021	IVY-C	2011.03.16
C	ECN NO:L150155	IVY-C	2016.01.04



RECOMMENDED PCB LAYOUT (THICKNESS=1.6±0.15mm)



REFERENCE PANEL CUT OUT DIMENSION



REFERENCE MOUNT DIMENSION

NO	DESCRIPTION	QTY	MATERIAL	PLATING & COLOR
UNLESS OTHERWISE SPECIFIED TOLERANCES		Singatron Enterprise Co., Ltd. 信音企業股份有限公司		
DECIMALS:	ANGLES:	TITLE	HDMI TYPE A FEMALE ,SMT ,W/T FLANGE	
X :±0.5	X :±2°	DWN	IVY-C 2016.01.04	PART NO. 2HE-51U1-N08
X.X :±0.3	X.X :±1°	CHKD	ANCELA 2016.01.04	SCALE:5/1 UNIT: mm
X.XX :±0.2		APVD	ANCELA 2016.01.04	SIZE: A3 SHEET:2 OF 2 REV: C
CUSTOMER COPY				