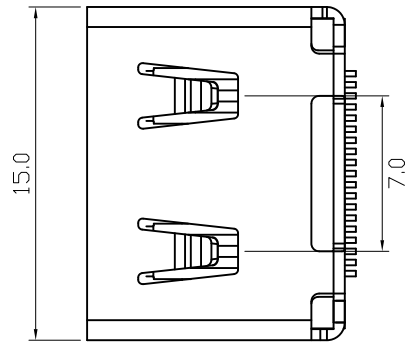
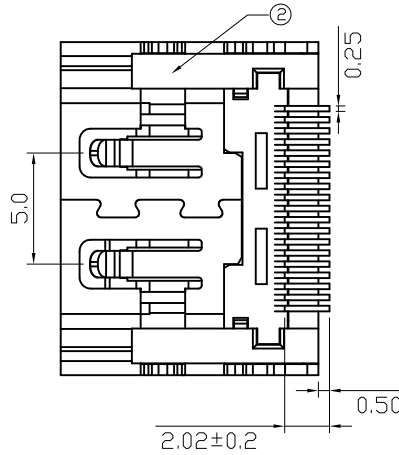


COMPONENT SIDE  
(PCB LAYOUT)



TOP VIEW



NO.	NAME	MATERIAL	FINISH	Q'TY	REMARK
1	SHELL	BRASS T:0.50	NICKEL PLATED	1	Ni:80~120u"
2	BODY	LCP+GF30%	GRAY	1	
3	CENTER PASTERN	LCP+GF30%	GRAY	1	
4	TERMINAL	PHOS. BRONZE T:0.20	GOLD/TIN PLATED	19	Gold:15u"; Ni:40~60u" Tin:120~200u"

Specification:

- ❖ Contact Resistance: Unmated Plug Socket, 30m Ohm. Maximum.  
*Mated Plug Socket, 60m Ohm. Maximum.*
- ❖ Insulation Resistance: 100M Ohm Min. At 500 VDC.
- ❖ Rated Voltage And Current: AC 40V, 0.5A Minimum.
- ❖ Dielectric Withstanding Voltage: 500V AC (rms) For 1 Minute.
- ❖ Insertion Force: Type A- 44.1N Maximum.
- ❖ Extraction Force: Type A- 9.8N Minimum, 39.2N Maximum.
- ❖ Durability: Type A- 10000 Cycles At 100±50 Cycles Per Hour.  
Life Test After: Type A-Insertion/Extraction Force: 6N Minimum.
- ❖ Operating Temperature: -20°C ~ +85°C.



Singatron Enterprise Co., Ltd.

TITLE	HDMI A RECEPTACLE			
DWN	TINA	PART NO.	2HE-KRPS00A30N2AL	
CHKD	30-12-09	SCALE	1:1	UNIT: mm
APVD		SIZE	A3	SHEET: 1 OF 1 REV: A1

TOLERANCE

- .X ±0.38
- .X ±0.25
- .XX ±0.13
- .XXX ±0.05

CUSTOMER COPY