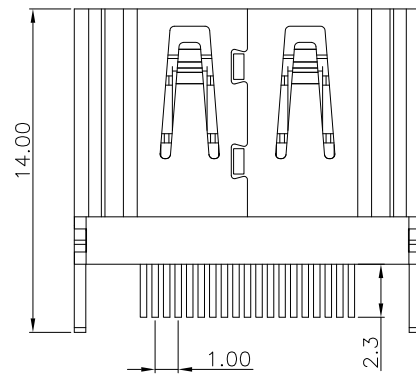
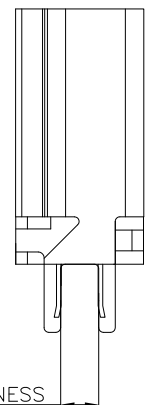


RECOMMENDED PCB LAYOUT



PLYWOOD THICKNESS



2HE-V_{xxx}-S277

PLYWOOD THICKNESS :

1	1.2mm
2	1.6mm

SHELL PLATED :

X	NI
G	GOLD

SHELL MATERIAL:

X	BRASS
I	SPCC

NOTE:

- 1.MATERIAL:
 - 1.1 HOUSING: LCP, UL94V-0,Black
 - 1.2 CONTACT: PHOSPHOR BRONZE
- 2.PLATING :
 - 2.1 CONTACT: PLATED GOLD IN MATING AREA ;
TIN PLATED ON SOLDER BALLS ;
NICKEL UNDER PLATED OVERALL
- 3.ELECTRICAL:
 - 3.1 RATING CURRENT: 0.5A
 - 3.2 CONTACT RESISTANCE: 30 mΩ Max
 - 3.3 INSULATION RESISTANCE: 100MΩ Min
 - 3.4 DIELECTRIC WITHSTANDING: 300V AC
 - 3.5 OPERATING TEMPERATURE: -20°C~ 85°C
- 4.MECHANICAL:
 - 4.1 INSERTION FORCE: 44.1 N Max
 - 4.2 EXTROCTION FORCE: 9.8 N Min

Singatron Enterprise Co., Ltd.				
TITLE	HDMI A TYPE 母座夾板式			
DWN	Jack Lu02/23/16	PART NO.	2HE-V _{xxx} -S277	
CHKD	Jacky Chen	SCALE	1:1	UNIT: mm
APVD	Tony Kao	SIZE:	A3	SHEET:1 OF 1 REV: R1
CUSTOMER COPY				

TOLERANCE UNLESS OTHERWISE STATED :

Up to 5	±0.2
Above 5 ~ 15	±0.3
Above 15 ~ 30	±0.4
Above 30 ~ 50	±0.5
Angle	±0.3°