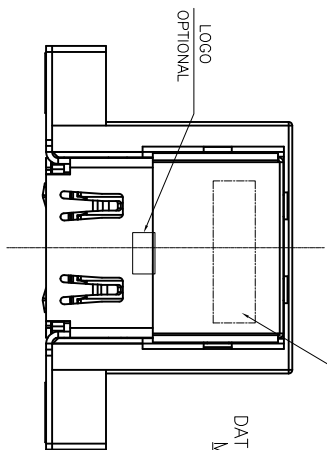
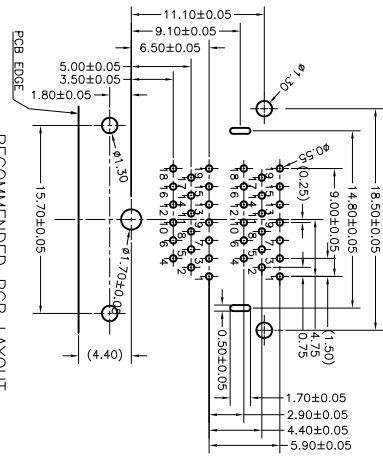


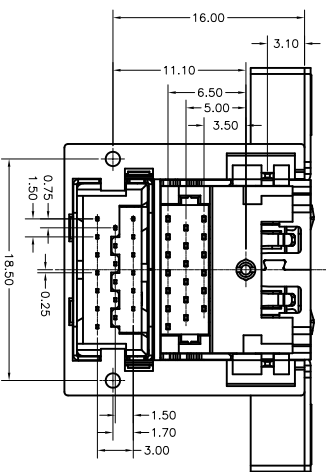
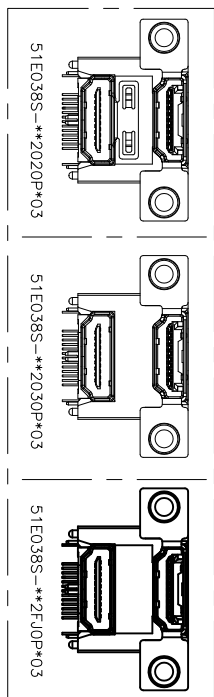
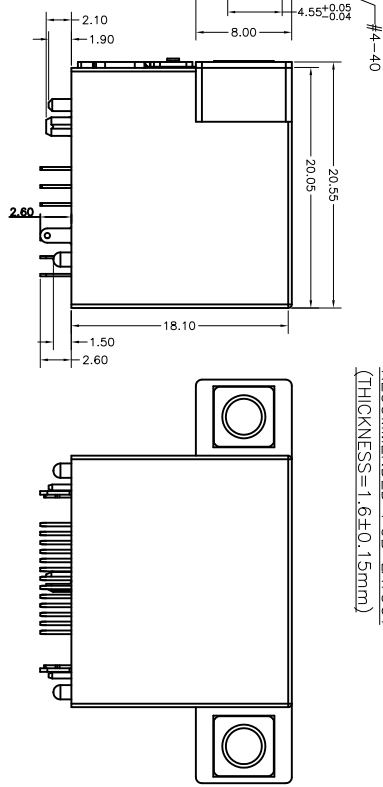
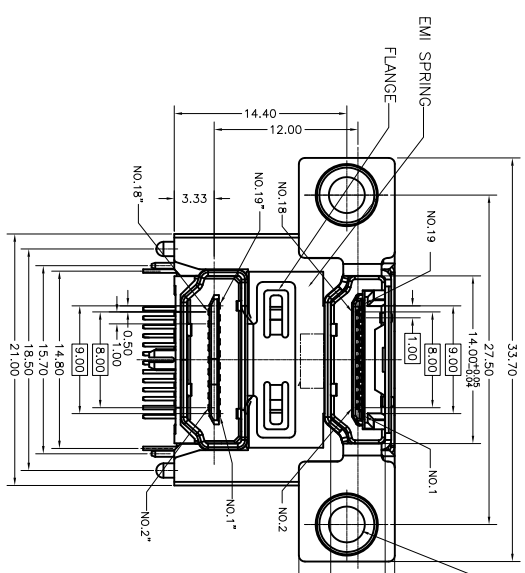
RoHS compliant



DATE CODE  
DATE CODE (YYWW)1:  
YYWW  
WEEK  
YEAR  
DATE CODE (MMDDYY)2:  
MMDDYY  
YEAR  
MONTH  
DAY  
DATE CODE (KYYWW K):  
YYWW K  
YEAR  
WEEK



RECOMMENDED PCB LAYOUT  
(THICKNESS=1.6±0.15mm)



**SPECIFICATIONS**

OPERATING CURRENT: 0.5A MAX.  
OPERATION TEMPERATURE: -25°C TO +85°C  
DIELECTRIC WITHSTANDING VOLTAGE:  
500volts AC BETWEEN ADJACENT TERMINAL(UNMATE )  
300volts AC BETWEEN ADJACENT TERMINAL(MATE )  
INSULATION RESISTANCE:  
100Mohm MIN.(UNMATED);10Mohm MIN.(MATED)

REV	ZONE	LTR	DESCRIPTION	DATE	REVISER	APPD
1.0			new design	2015/6/16	jack	

**ORDERING INFORMATION**

- 2HE038S - X X 2 XX 0 P X 03  
(1) (2) (3) (4) (5) (6) (7) (8) (9)
- SERIES NO.  
DUAL HDMI STACKED CONNECTOR THROUGH HOLE TYPE  
HDMI TO HDMI (INSERT MOLDING TYPE) SOCKET
  - CONTACT PLATING:  
0: GOLD FLASH IN CONTACT AREA.  
MATE TIN PLATED IN SOLDER AREA UNDERPLATING NI OVER ALL.  
2: 15μ" GOLD PLATED IN CONTACT AREA.  
MATE TIN PLATED IN SOLDER AREA UNDERPLATING NI OVER ALL.  
3: 30μ" GOLD PLATED IN CONTACT AREA.  
MATE TIN PLATED IN SOLDER AREA UNDERPLATING NI OVER ALL.
  - SHELL PLATING  
N: SOLDERABLE NICKEL PLATED  
4: GOLD FLASH PLATED  
4: ENVIRONMENT OPTION:  
2: ROHS AND REACH COMPLIANT
  - SUFFIX No.1  
02-BRACKET MATERIAL IS PBT WITH WING.  
BOTTOM HDMI WITH FLANGE AND SPRING LATCH  
THE FRONT LEG LENGTH IS 1.9mm.  
03-BRACKET MATERIAL IS PBT WITH WING.  
BOTTOM HDMI WITHOUT FLANGE AND SPRING LATCH  
THE FRONT LEG LENGTH IS 1.9mm.  
WITHOUT EMI SPRING.  
FIBERBAGET MATERIAL IS PBT WITH WING.  
BOTTOM HDMI WITHOUT FLANGE AND SPRING LATCH  
THE FRONT LEG LENGTH IS 1.9mm WITH EMI SPRING
  - SUFFIX No.2  
0: LEVEL 0
  - PACKAGING CODE:  
P: TRAY PACKING
  - SUFFIX No.3  
A: WITH OUT LOGO AND DIRTYPROOF COVER, D/C  
J: WITH OUT DIRTYPROOF COVER AND LOGO, WITH D/C/3  
4: WITH OUT DIRTYPROOF COVER AND LOGO, WITH D/C/1  
9: WITH OUT LOGO AND D/C WITH DIRTYPROOF COVER  
5: WITH OUT DIRTYPROOF COVER OR LOGO WITH D/C/2
  - SUFFIX No.4  
03: SERIAL NUMBER

**Singatron Enterprise Co., Ltd.**

TITLE	DUAL HDMI STACKED CONNECTOR THROUGH HOLE TYPE(Screw)	
DWN	JACK	PART NO. 2HE038S-XX2XX0P-X03
CHKD	LUUJUN	SCALE 1:1 UNIT: mm
APVD	2014/10/31	SIZE: A3 SHEET: 1 OF 1 REV: 1.0

CUSTOMER COPY