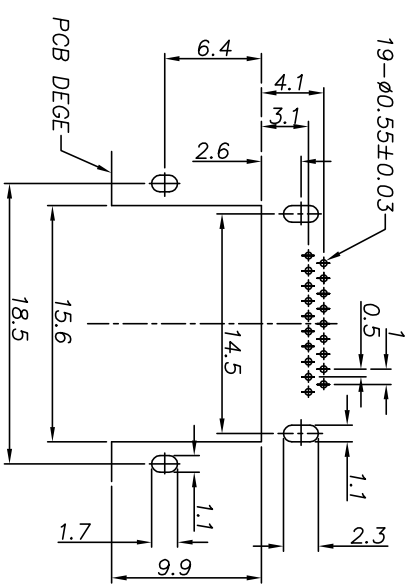
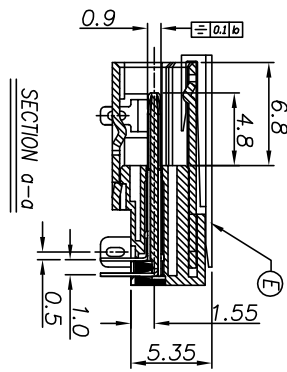
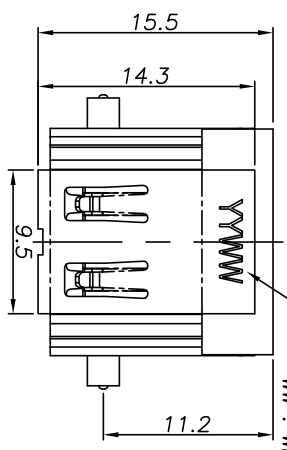


DATE CODE (BLACK COLOR)  
 YY : YEAR(07~)  
 WW : WEEK(01~52)

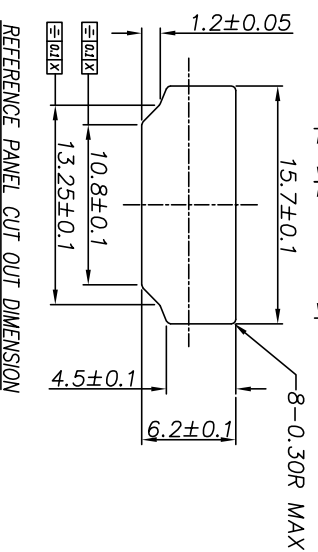
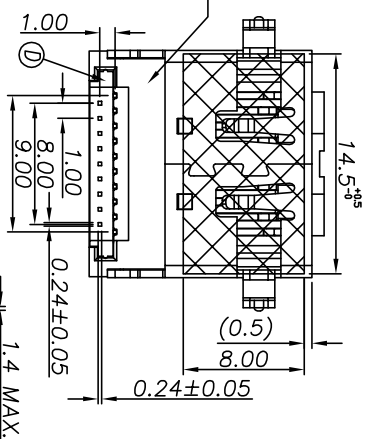
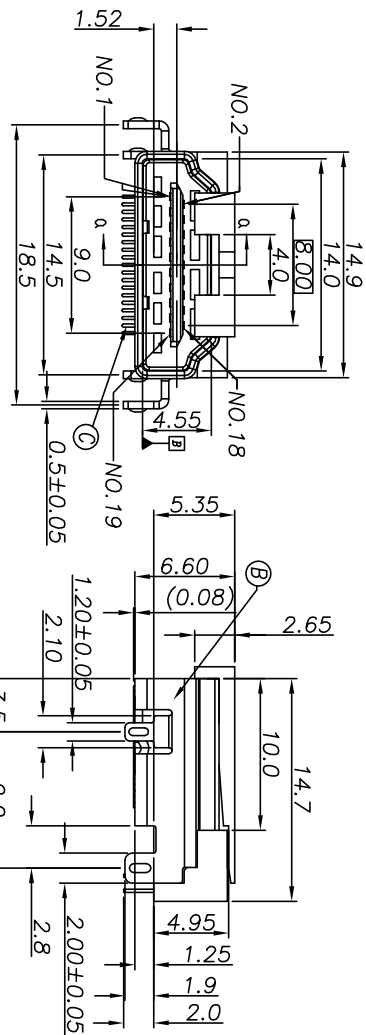


RECOMMEND PCB LAYOUT  
 <JACK TOP VIEW>

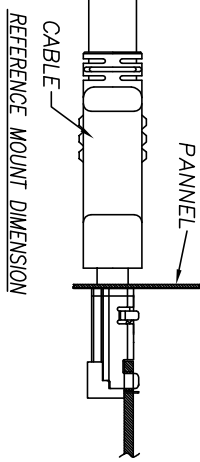
Tolerance: ±0.05 mm  
 THICKNESS PCB THICKNESS=1.2±0.10mm

SPECIFICATIONS:

1. HALOGEN FREE PRODUCT IDENTIFICATION LABEL ON PACKAGING;
2. SOLDER HEAT RESISTANCE : 260°C 10 SECS.
3. TO CONFORM TO THE SINGATRON HSF SPECIFICATION";
4. SEE "ZHE1503 SERIES" SPECIFICATIONS
5. PACKAGE : SEE " ZHE1503-011311" PACKAGE



PART NO  
 ZHE1503-011311



- PACKAGE & REEL
- 1: TAPE & REEL
- HOUSING COLOR
- 1: BLACK
- CONTACT PLATING
- 3. GOLD FLASH ON WIRING AREA, TIN PLATING ON SOLDER TAILS.
- FILM MATERIAL
- 1: W/O MYLAR
- CAP

REV.	ECN NO OR DESCRIPTION	REVISED	DATE
A	ECN NO. S170422-P	EVEN	2018.11.21

NO	DESCRIPTION	QTY	MATERIAL	PLATING & COLOR
A	HOUSING	1	LCP U194V-0	BLACK COLOR
B	SHELL	1	BRASS, 0.5t	NI PLATING
C	CONTACT	19	BRASS, 0.2t	SEE PART NO.
D	COVER	1	LCP U194V-0	BLACK COLOR
E	CAP	1	LCP U194V-0	BLACK COLOR
F	MYLAR	1		BLACK COLOR
G	INK	1		BLACK COLOR

Singatron Enterprise Co., Ltd.  
 信音企業股份有限公司

TITLE: HDM TYPE A FEMALE, DIP, REVERSE W/O FLANGE  
 PART NO. ZHE1503-011311

SCALE: 1:1 UNIT: mm  
 SHEET: 10F1 RBV: A  
 CUSTOMER COPY