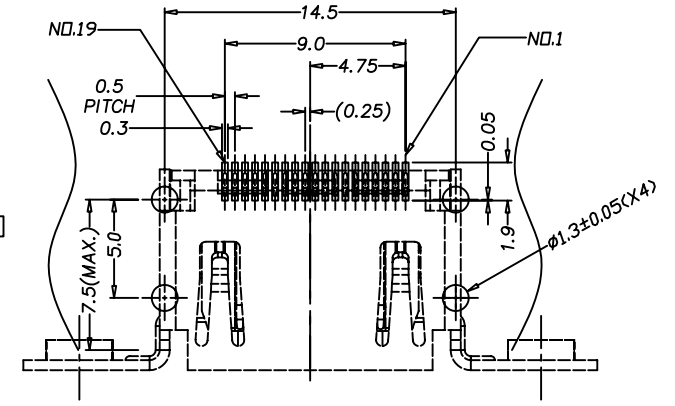
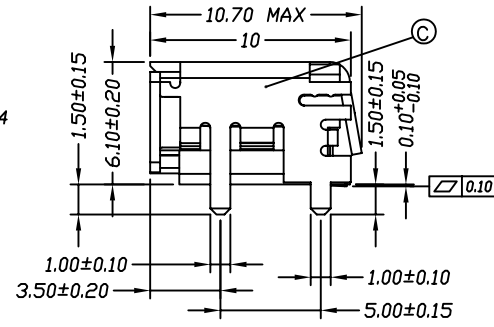
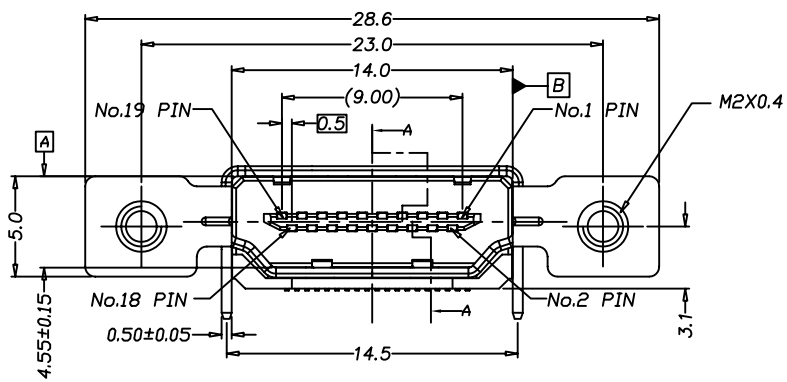
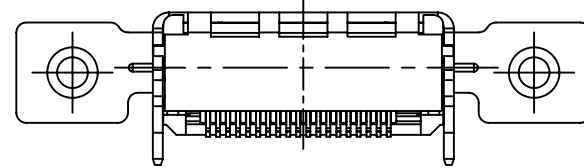
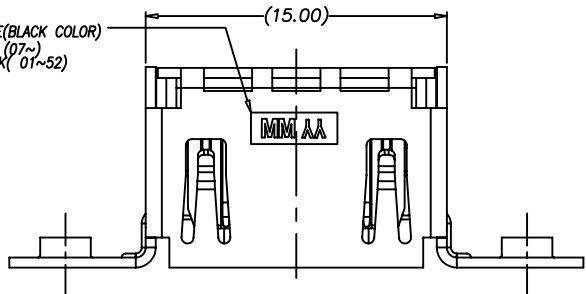


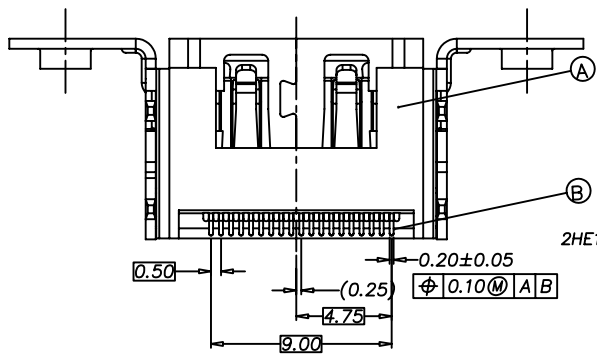
REV.	PEN NO OR DESCRIPTION	REVISED	DATE
A	PDR RELEASE	LULU	2007.04.30
B	ECN NO.T070239	LULU	2007.07.26
C	ECN NO.T070160 ADD D/C	LULU	2008.04.09

- SPECIFICATIONS:
- SEE "2HE1505 SERIES" SPECIFICATIONS
  - TO CONFORM TO THE "SINGATRON HSF SPECIFICATION"
  - GREEN PRODUCT IDENTIFICATION LABEL IN PACKING: [G.P. PASS]
  - SOLDER HEAT RESISTANCE : 260°C 10 SECS.
  - PACKAGE: SEE "2HE1505-000111" PACKAGE.

DATE CODE (BLACK COLOR)  
YY: Year (07-)  
WW: WEEK (01-52)



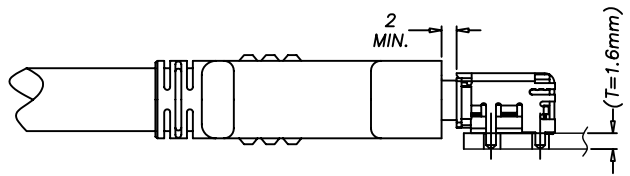
RECOMMENDED PCB LAYOUT (THICKNESS=1.6±0.15mm)  
TOLERANCE: ±0.05  
(TOP VIEW)



2HE1505-000111

PACKAGE  
1: TRAY  
BODY COLOR  
1: BLACK

CONTACT PLATING  
1. GOLD FLASH OVER NICKEL ON CONTACT AREA AND 100u" MIN. TIN PLATED OVER NICKEL ON SOLDER TAILS



REFERENCE MOUNT DIMENSION

NO	DESCRIPTION	QTY	MATERIAL	PLATING & COLOR
C	SHELL	1	COPPER ALLOY	NICKEL PLATING
B	CONTACT	19	COPPER ALLOY	GOLD PLATED OVER NICKEL ON CONTACT AREA AND 100u" MIN. TIN PLATED OVER NICKEL ON SOLDER TAILS
A	HOUSING	1	HIGH TEMPERATURE THERMOPLASTIC UL 94V-0 RATED	BLACK COLOR

UNLESS OTHERWISE SPECIFIED TOLERANCES

DECIMALS:	ANGLES:	TITLE		
X : ±0.5	X : ±2°	DWN	LULU 2008.4.10	PART NO 2HE1505-000111
X.X : ±0.3	X.X : ±1'	CHKD	JOHNSON2008.4.10	SCALE 3/1 UNIT mm
X.XX : ±0.2		APVD	JOHNSON2008.4.10	SIZE A3 SHEET 1 OF 1 REV:C

**Singatron Enterprise Co., Ltd.**

**CUSTOMER COPY**