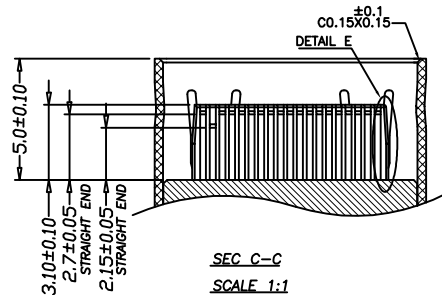
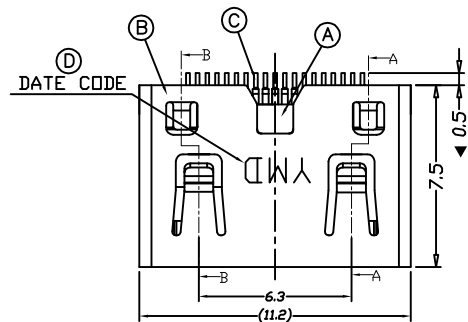
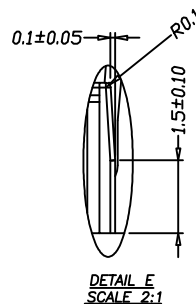
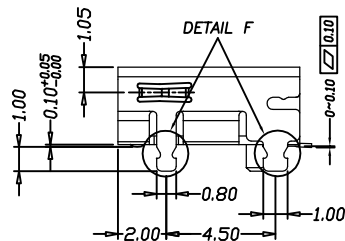
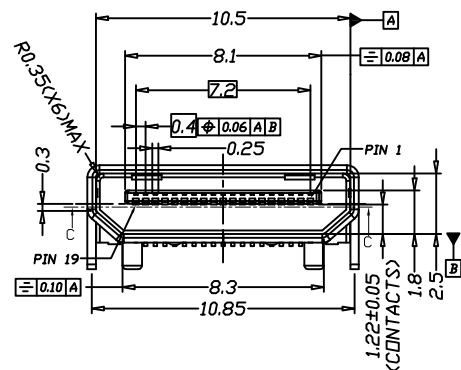


REV.	ECN NO OR DESCRIPTION	REVISED	DATE
A	PDR RELEASE	IVY-C	2015.02.05



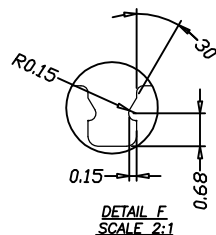
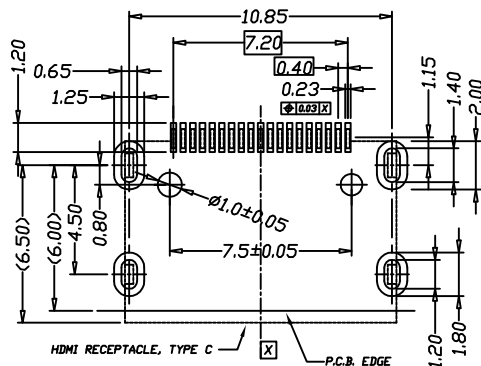
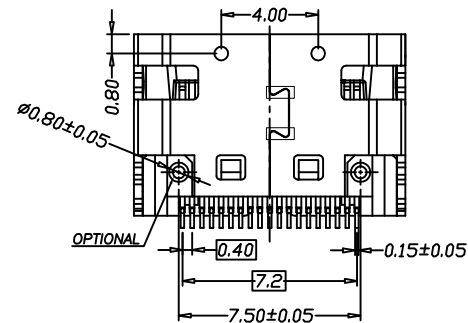
SPECIFICATIONS:

- ELECTRICAL CHARACTERISTICS:**
 - CURRENT RATING: 0.5 AMP.
 - VOLTAGE RATING: 40V.
 - CONTACT RESISTANCE: 30mΩ MAX.
 - INSULATION RESISTANCE: 100MΩ MIN. @ 500V DC.
 - DIELECTRIC WITHSTANDING VOLTAGE: 500V AC FOR 1 MINUTE.
- MECHANICAL CHARACTERISTICS:**
 - INSERTION FORCE: 4.5Kgf MAX.
 - WITHDRAWAL FORCE: 0.7 Kgf MIN. (AFTER LIFE: 0.5 Kgf MIN.)
- LIFE TEST: 5,000 CYCLES**
- OTHER GENERAL SPEC. TO REFER "HDMI SERIES SPEC".**
- TO CONFORM TO THE SINGATRON HAZARDOUS SUBSTANCE FREE SPEC.**
- HALOGEN FREE PRODUCT IDENTIFICATION LABEL ON PACKAGING:**
- PACKAGE: SEE "2HE1511 SERIES" PACKAGE.**
- FOR REFLOW SOLDERING LEAD-FREE PROCESS.**



PART NO.
2HE1511-000X11F

- SUFFIX: HALOGEN FREE
- PACKAGE: 1: TAPE & REEL
- HOUSING COLOR: 1: BLACK
- CONTACT PLATING: 1: GOLD FLASH PLATED ON CONTACT AREA, GOLD FLASH ON SOLDER TAILS; 2: Au 15u" PLATED ON CONTACT AREA, GOLD FLASH ON SOLDER TAILS



D	INK	1	BLACK	
C	CONTACT	19 C2680R-H, 0.15t	SEE PART NO.	
B	SHELL	1 C2680R-H, 0.35t	NICKEL PLATED	
A	HOUSING	1 LCP+30%G.F, UL94V-0	BLACK	
NO	DESCRIPTION	QTY	MATERIAL	PLATING & COLOR
UNLESS OTHERWISE SPECIFIED TOLERANCES		Singatron Enterprise Co., Ltd. 信音企業股份有限公司		
DECIMALS:	ANGLES:	TITLE: HDMI RECEPTACLE, TYPE C PITCH 0.40 SMT TYPE		
X : ±0.5	X : ±2°	DWN	W-C 2015.02.05	
XX : ±0.3	XX : ±1°	PART NO. 2HE1511-000X11F		
XX : ±0.2		CHKD	ANCEA 2015.02.05	
		APVD	ANCEA 2015.02.05	
		SCALE: 1/1	UNIT: mm	
		SIZE: A3	SHEET: 1 OF 1	
			REV: A	

CUSTOMER COPY