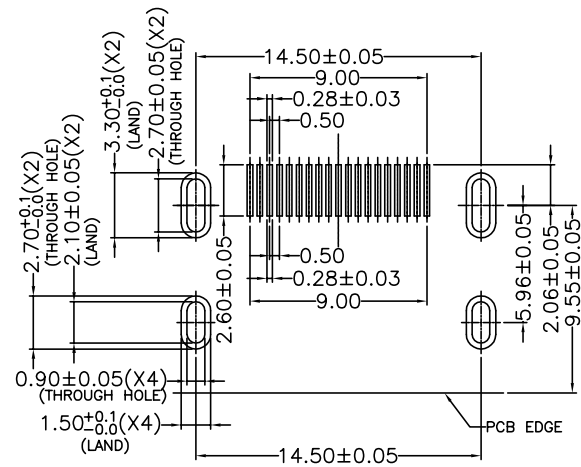
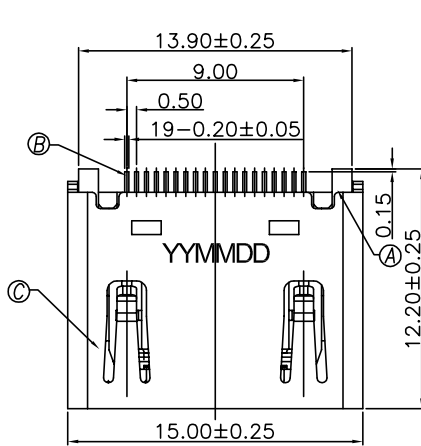
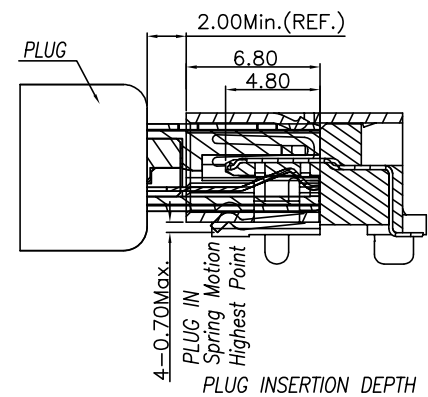
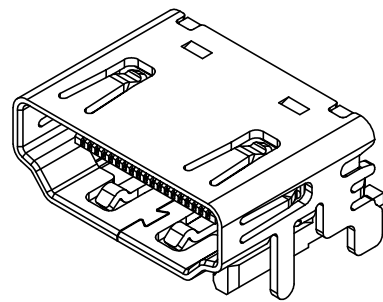
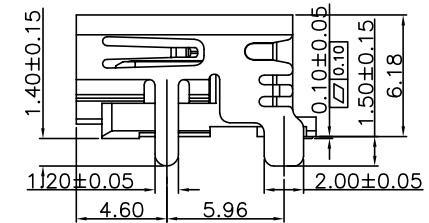
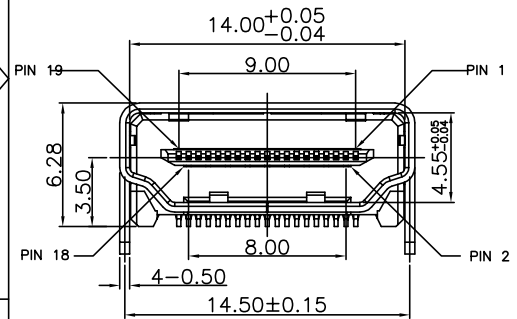


REV.	ECN NO OR DESCRIPTION	REVISED	DATE
A	ECN NO: L170097	EVEN	2018.01.02



RECOMMENDED PCB LAYOUT (THICKNESS=1.6±0.15mm)



SPECIFICATIONS:

- OTHER GENERAL SPEC. TO REFER "HDMI SERIES SPEC".
- TO CONFORM TO SINGATRON HAZARDOUS SUBSTANCE FREE SPEC.
- PACKAGE : SEE "2HE1519 SERIES" PACKAGE.
- HALOGEN FREE PRODUCT IDENTIFICATION LABEL ON PACKAGING:
- FOR REFLOW SOLDERING LEAD-FREE PROCESS.

PART NO.

2HE1519-000111

- PACKAGE: 1: TAPE & REEL
- HOUSING COLOR: 1: BLACK
- CONTACT PLATING: 1: GOLD FLASH ON MATING AREA AND ON SOLDER TAILS, 40u" MIN. NICKEL UNDERPLATING OVERALL
- LENGTH OF SHELL SOLDER LEG: 0: DIM A=1.40±0.15, DIM B=1.50±0.15

C	SHELL	1	BRASS (C2680)	50~100u" Ni PLATING
B	CONTACT	19	BRASS (C2680)	SEE PART NO.
A	HOUSING	1	LCP UL 94V-0	BLACK COLOR
NO	DESCRIPTION	QTY	MATERIAL	PLATING & COLOR
UNLESS OTHERWISE SPECIFIED TOLERANCES		Singatron Enterprise Co., Ltd. 信音企業股份有限公司		
DECIMALS:		TITLE: HDMI TYPE A FEMALE, SMT, W/O FLANGE		
X	:±0.5	X	:±2'	DWN: EVEN 2018.01.02 PART NO. 2HE1519-000111
X.X	:±0.3	X.X	:±1'	CHKD: ACHENG2018.01.02 SCALE: N/A UNIT: mm
X.XX	:±0.2	APVD: ACHENG2018.01.02	SIZE: A3	SHEET: 1 OF 1 REV: A
CUSTOMER COPY				