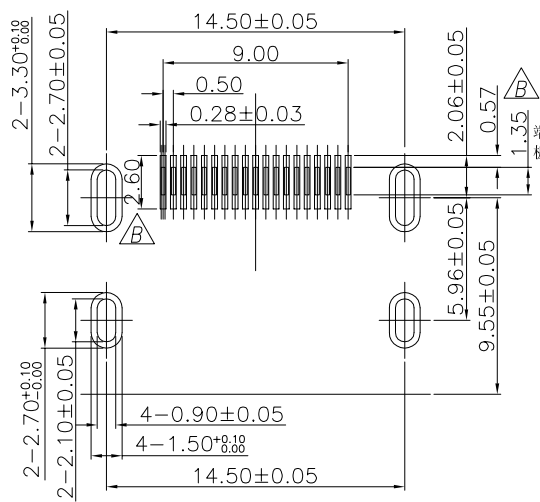
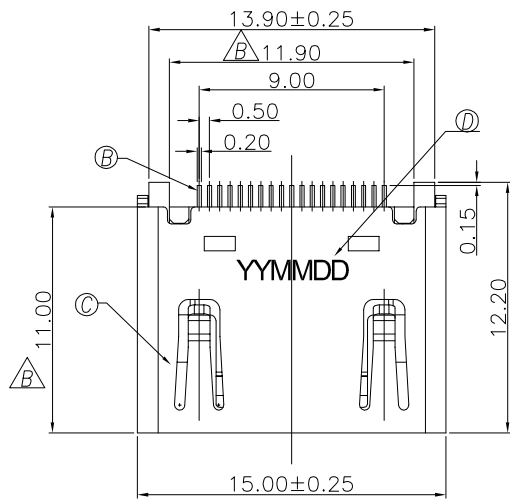


REV.	ECN NO OR DESCRIPTION	REVISED	DATE
A	PDR RELEASE	IVY-C	2013.11.13
B	ECN NO: L160089	IVY-C	2016.07.04



端子在PCB板内尺寸

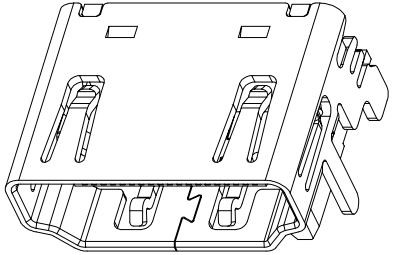
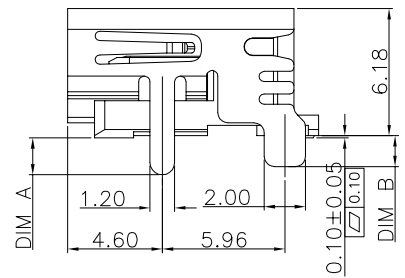
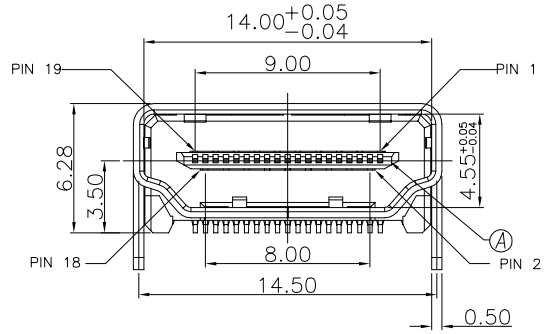
SPECIFICATIONS:

1. OTHER GENERAL SPEC. TO REFER "HDMI SERIES SPEC".
2. TO CONFORM TO SINGATRON HAZARDOUS SUBSTANCE FREE SPEC.
3. PACKAGE : SEE "2HE1519 SERIES" PACKAGE.
4. HALOGEN FREE PRODUCT IDENTIFICATION LABEL ON PACKAGING:
5. FOR REFLOW SOLDERING LEAD-FREE PROCESS.

PART NO.

2HE1519-101111F

- SUFFIX: HALOGEN FREE
- PACKAGE
- 1: TAPE & REEL
- HOUSING COLOR
- 1: BLACK
- CONTACT PLATING
- 1: GOLD FLASH ON MATING AREA AND ON SOLDER TAILS, 40u" MIN. NICKEL UNDERPLATING OVERALL
- LENGTH OF SHELL SOLDER LEG
- 1: DIM A=0.90±0.15, DIM B=0.90±0.15



D	INK	1		BLACK
C	SHELL	1	COPPER ALLOY	NICKEL PLATED
B	CONTACT	19	COPPER ALLOY	SEE PART NO.
A	HOUSING	1	HIGH TEMP. THERMOPLASTIC UL 94V-0	BLACK COLOR
NO	DESCRIPTION	QTY	MATERIAL	PLATING & COLOR

UNLESS OTHERWISE SPECIFIED TOLERANCES

Singatron Enterprise Co., Ltd.
信音企業股份有限公司

DECIMALS:	ANGLES:	TITLE	HDMI TYPE A FEMALE, SMT, W/O FLANGE	
X :±0.5	X :±2°	DWN	IVY-C 2016.07.04	PART NO.2HE1519-101111F
XX :±0.3	XX :±1°	CHKD	ANGELA2016.07.04	SCALE:N/A UNIT: mm
XXX :±0.2		APVD	ANGELA2016.07.04	SIZE: A3 SHEET:1 OF 1 REV: B

CUSTOMER COPY