

REV.	ECN NO OR DESCRIPTION	REVISED	DATE
A	PDR RELEASE	Even	2020.10.21

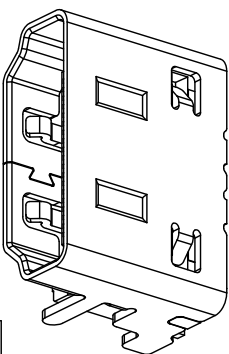
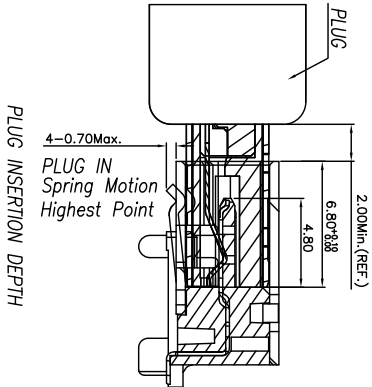
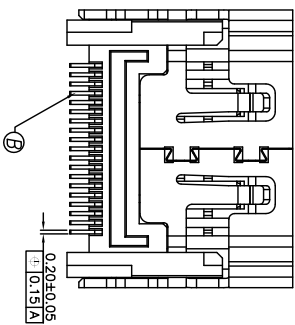
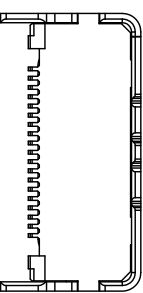
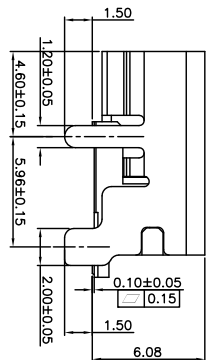
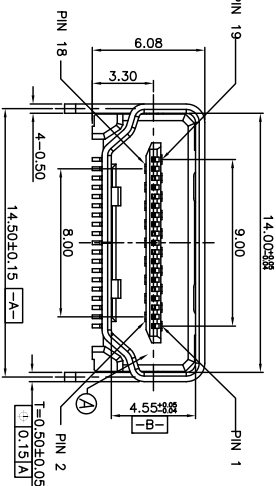
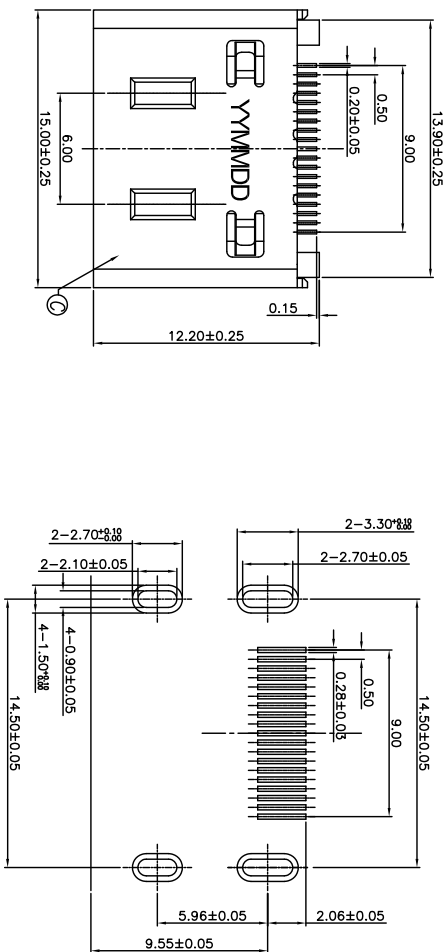
SPECIFICATIONS:

1. ELECTRICAL CHARACTERISTICS:
 - 1-1. CURRENT RATING: 0.5 AMP.
 - 1-2. VOLTAGE RATING: 40V.
 - 1-3. INITIAL CONTACT RESISTANCE EXCLUDING CONDUCTOR RESISTANCE: 10mΩ MAX (TARGET DESIGN VALUE). AFTER TEST: Δ30mΩ MAX.
 - 1-4. INSULATION RESISTANCE: 100MΩ MIN. @ 500V DC.
 - 1-5. DIELECTRIC WITHSTANDING VOLTAGE: 500V AC FOR 1 MINUTE.
2. MECHANICAL CHARACTERISTICS:
 - 2-1. INSERTION FORCE: 4.5Kgf MAX.
 - 2-2. WITHDRAWAL FORCE: 1.0~4.0Kgf.
3. LIFE TEST: 10,000 CYCLES.
4. OPERATING TEMPERATURE: -25°C TO +85°C.
5. OTHER GENERAL SPEC. TO REFER "HDMI SERIES SPEC".
6. TO CONFORM TO THE SINGATRON HAZARDOUS SUBSTANCE FREE SPEC.
7. HALOGEN FREE PRODUCT IDENTIFICATION LABEL ON PACKAGING.
8. PACKAGE: SEE "2HE1519-500511F" PACKAGE.
9. FOR REFLOW SOLDERING LEAD-FREE PROCESS.



PART NO.
2HE1519-500511F

- 5: 15μ" GOLD ON CONTACT AREA, MATTE TIN 60~150μ" ON SOLDER AREA, 50μ" MIN. NI UNDER PLATING OVERALL
- CONTACT PLATING
- HOUSING COLOR
- 1: BLACK
- 1: HOUSING COLOR
- 1: TAPE & REEL
- 1: PACKAGE
- SUPPLY: HALOGEN FREE



C	SHELL	1	SUS304	50μ" MIN. NICKEL
B	CONTACT	19	C2680	SEE PART NO.
A	HOUSING	1	LCP UL 94V-0	BLACK COLOR
NO	DESCRIPTION	QTY	MATERIAL	PLATING & COLOR

UNLESS OTHERWISE SPECIFIED TOLERANCES

Singatron Enterprise Co., Ltd.
信晉企業股份有限公司

DECIMALS:	ANGLES:	TITLE	HDMI TYPE A FEMALE, SMT TYPE
X : ±0.5	X : ±2°	DWN	REV 2020.10.21
X.X : ±0.3	X.X : ±1°	CHKD	SCALE:N/A
X.XX : ±0.2		APVD	INX32020.10.21
			SIZE: A3
			SHEET: OF
			REV: A

CUSTOMER COPY