


REV.	ECN NO OR DESCRIPTION	REVISED	DATE
A	PDR NO:T110223-8A 2HE1519-X0011→2HE1519-X00X11	IVY-C	2011.04.25
B	ECN: L110098	IVY-C	2011.09.06
C	ECN: L110136	IVY-C	2011.11.28
D	ECN: L150122	IVY-C	2015.10.14

SPECIFICATIONS:

1. OTHER GENERAL SPEC. TO REFER "HDMI SERIES SPEC".
2. TO CONFORM TO SINGATRON HAZARDOUS SUBSTANCE FREE SPEC.
3. PACKAGE : SEE "2HE1519 SERIES" PACKAGE.
4. HALOGEN FREE PRODUCT IDENTIFICATION LABEL ON PACKAGING: 
5. FOR REFLOW SOLDERING LEAD-FREE PROCESS.

PART NO.

2HE1519-X00X11

- PACKAGE
- 1: TAPE & REEL
- HOUSING COLOR
- 1: BLACK
- CONTACT PLATING
- 1: GOLD FLASH ON MATING AREA AND ON SOLDER TAILS, 40u" MIN. NICKEL UNDERPLATING OVERALL
- 2: AU 15u" ON MATING AREA AND GOLD FLASH ON SOLDER TAILS, 40u" MIN. NICKEL UNDERPLATING OVERALL
- LENGTH OF SHELL SOLDER LEG
- 0: DIM A=1.40±0.25, DIM B=1.50±0.25
- 1: DIM A=0.90±0.15, DIM B=0.90±0.15
- 2: DIM A=1.90±0.25, DIM B=2.00±0.25

NO	DESCRIPTION	QTY	MATERIAL	PLATING & COLOR
D	INK	1		BLACK
C	SHELL	1	BRASS (C2680)	80~130u" Ni PLATING
B	CONTACT	19	BRASS (C2680)	SEE PART NO.
A	HOUSING	1	LCP UL 94V-0	BLACK COLOR

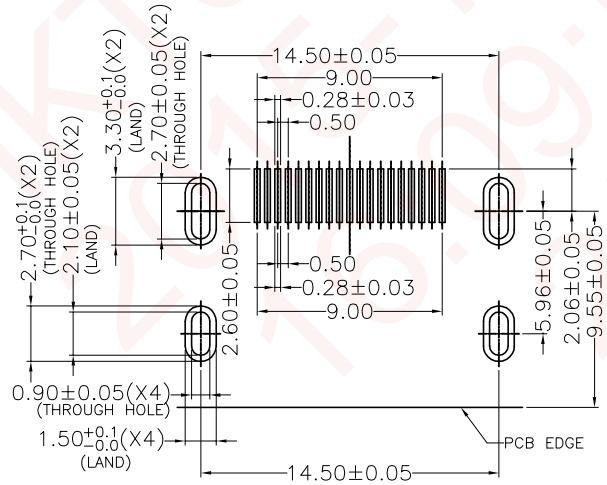
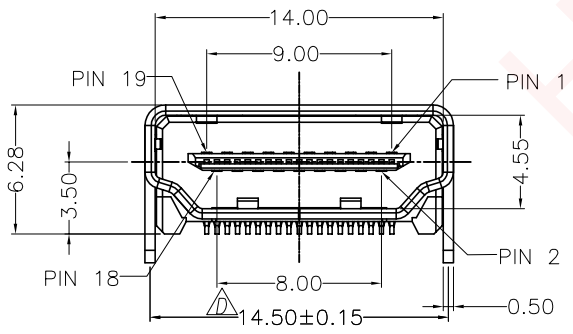
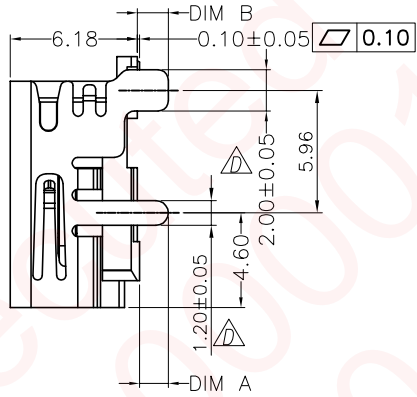
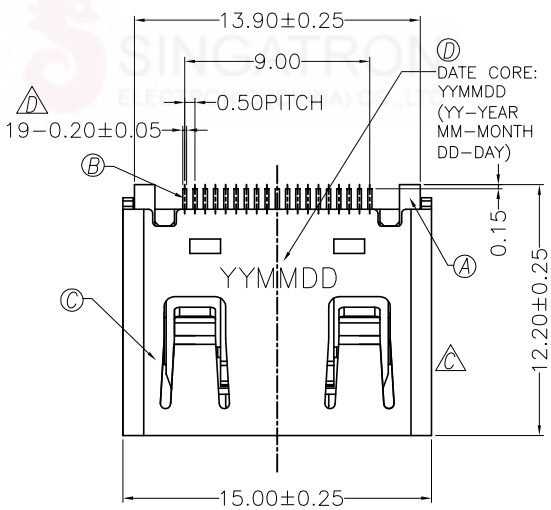
UNLESS OTHERWISE SPECIFIED TOLERANCES

 Singatron Enterprise Co., Ltd.
信音企業股份有限公司

DECIMALS:	ANGLES:	TITLE	HDMI TYPE A FEMALE, SMT, W/O FLANGE		
X :±0.5	X :±2°	DWN	IVY-C 2015.10.14	PART NO.2HE1519-X00X11	經理
XX :±0.3	XX :±1°	CHKD	ANGELA 2015.10.14	SCALE:N/A	UNIT: mm
XX.XX :±0.2		APVD	ANGELA 2015.10.14	SIZE: A3	SHEET:1 OF 1

CUSTOMER COPY

審核專員	產品技術部 (HKT)
製圖專員	范義秀琴
2015/10/16 11:41:47	2015/10/16 11:42:32



RECOMMENDED PCB LAYOUT (THICKNESS=1.6±0.15mm)