

REV.	ECN NO OR DESCRIPTION	REVISED	DATE
A	PDR RELEASE	EVEN	2016.11.08

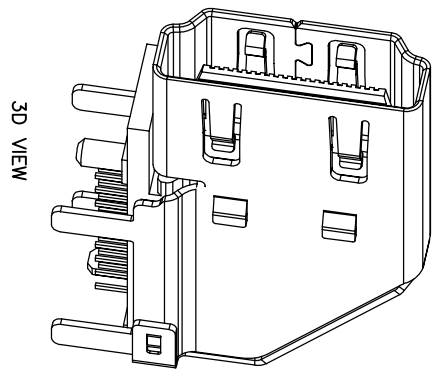
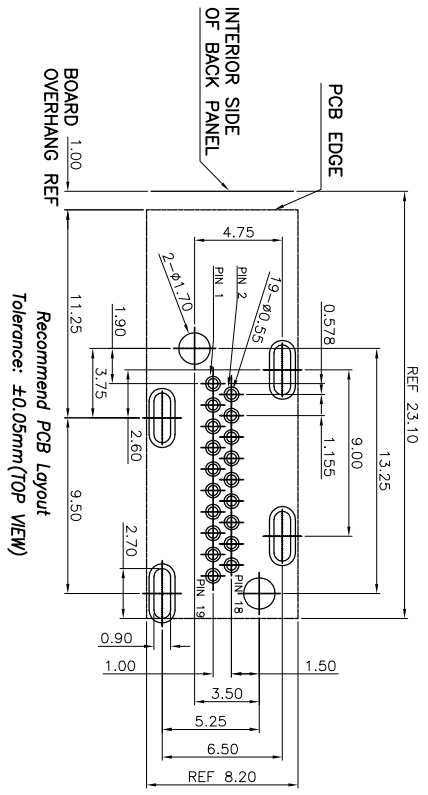
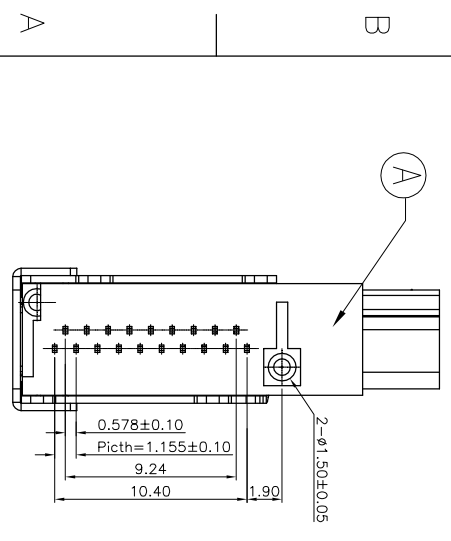
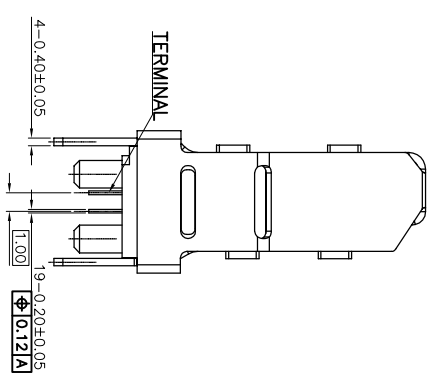
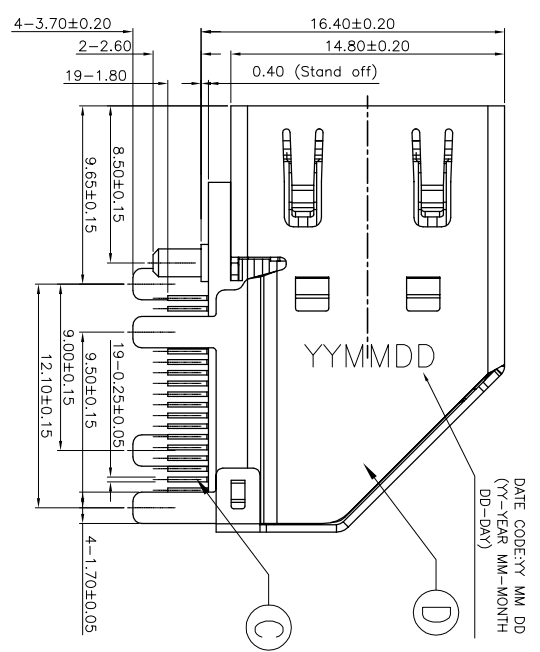
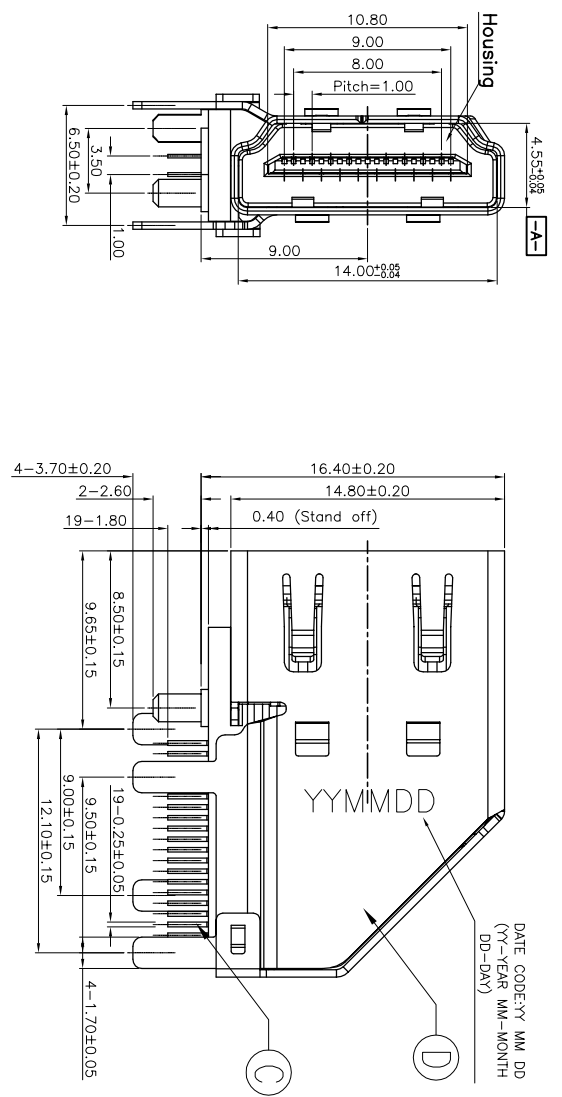
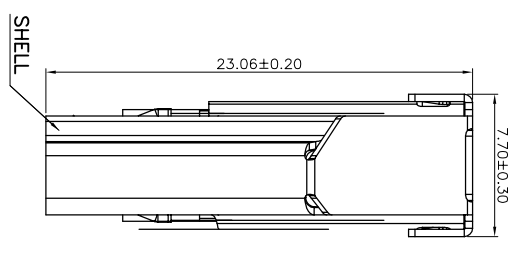
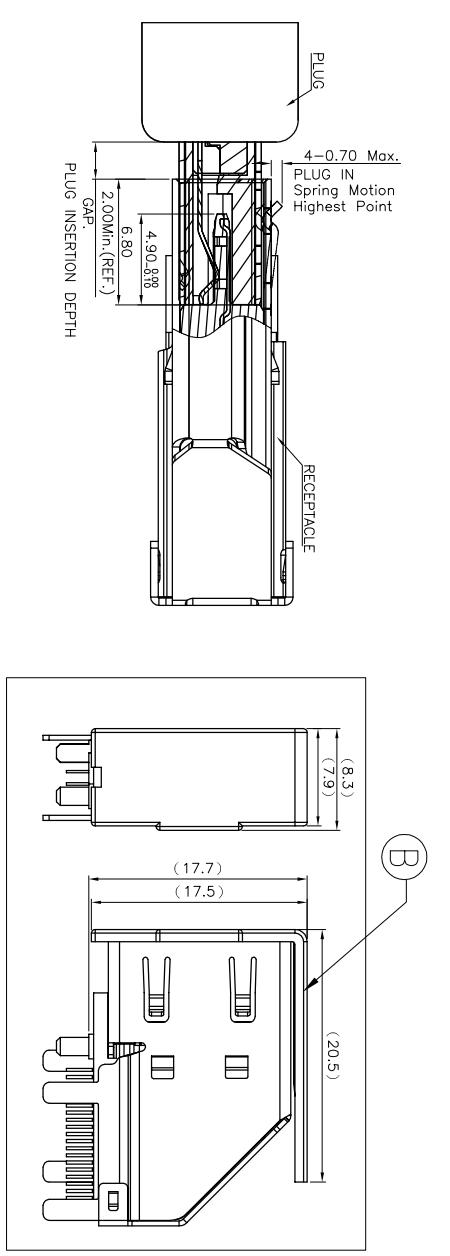
SPECIFICATIONS:

1. ELECTRICAL CHARACTERISTICS:

- 1-1. CURRENT RATING: 0.5 AMP.
- 1-2. VOLTAGE RATING: 40V.
- 1-3. INITIAL CONTACT RESISTANCE EXCLUDING CONDUCTOR RESISTANCE: 10mΩ MAX (TARGET DESIGN VALUE). AFTER TEST: Δ 30mΩ MAX.
- 1-4. INSULATION RESISTANCE: 100MΩ MIN. @ 500V DC.
- 1-5. DIELECTRIC WITHSTANDING VOLTAGE: 500V AC FOR 1 MINUTE.

2. MECHANICAL CHARACTERISTICS:

- 2-1. INSERTION FORCE: 4.5kgf MAX.
- 2-2. WITHDRAWAL FORCE: 1.0~4.0kgf.
- 3. LIFE TEST: 10,000 CYCLES.
- 4. OPERATING TEMPERATURE: -25°C TO +85°C.
- 5. OTHER GENERAL SPEC. TO REFER "HDMI SERIES SPEC."
- 6. TO CONFORM TO THE SINGATRON HAZARDOUS SUBSTANCE FREE SPEC.
- 7. HALOGEN FREE PRODUCT IDENTIFICATION LABEL ON PACKAGING.
- 8. PACKAGE: SEE "2HE1542-130112F" PACKAGE.
- 9. FOR REFLOW SOLDERING LEAD-FREE PROCESS.



PART NO.

2HE1542-130112F

- 1: SUPPLY: HALOGEN FREE
- 2: PACKAGE
- 3: TAPE & REEL
- 4: HOUSING COLOR
- 5: BLACK
- 6: CONTACT PLATING
- 7: GOLD FLASH ON CONTACT AREA,
- 8: MATTE TIN ON SOLDER AREA

D	SHELL	1	SUS304-1/2H	Ni 50u" PLATING ALL OVER
C	CONTACT	19	C2680R-H	SEE PART NO.
B	CAP	1	LCP E1301 UL94V-0	BLACK
A	HOUSING	1	LCP E1301 UL94V-0	BLACK
NO	DESCRIPTION	QTY	MATERIAL	PLATING & COLOR
UNLESS OTHERWISE SPECIFIED TOLERANCES				
Singatron Enterprise Co., Ltd.				
TITLE: HDMI TYPE A FEMALE VERTICAL & DIP TYPE				
DWN: ENH 2016.11.08 PART NO. 2HE1542-130112F				
CHKD: ANGEL 2016.11.08 SCALE 1:1 UNIT: mm				
APVD: ANGEL 2016.11.08 SIZE: A3 SHEET: 1 OF 1 REV: A				

CUSTOMER COPY