


REV.	ECN NO OR DESCRIPTION	REVISED	DATE
A	PDR RELEASE	IVY-C	2014.01.23
B	ECN NO:L150040	IVY-C	2015.07.16

SPECIFICATIONS:

- ELECTRICAL CHARACTERISTICS:
  - CURRENT RATING: 0.5 AMP.
  - VOLTAGE RATING: 40V.
  - CONTACT RESISTANCE: 30mΩ MAX.
  - INSULATION RESISTANCE: 100MΩ MIN. @ 500V DC.
  - DIELECTRIC WITHSTANDING VOLTAGE: 500V AC FOR 1 MINUTE.
- MECHANICAL CHARACTERISTICS:
  - INSERTION FORCE: 4.5Kgf MAX.
  - WITHDRAWAL FORCE: 0.7~2.5Kgf.
- LIFE TEST: 5,000 CYCLES.
- OTHER GENERAL SPEC. TO REFER "HDMI SERIES SPEC".
- TO CONFORM TO THE SINGATRON HAZARDOUS SUBSTANCE FREE SPEC.
- HALOGEN FREE PRODUCT IDENTIFICATION LABEL ON PACKAGING: 
- PACKAGE: SEE "2HE1576 SERIES" PACKAGE.
- FOR REFLOW SOLDERING LEAD-FREE PROCESS.

PART NO.

**2HE1576-20011F**

LENGTH OF SHELL LEG  
2: 0.80mm

SUFFIX: HALOGEN FREE

PACKAGE  
1: TAPE AND REEL

HOUSING COLOR  
1: BLACK

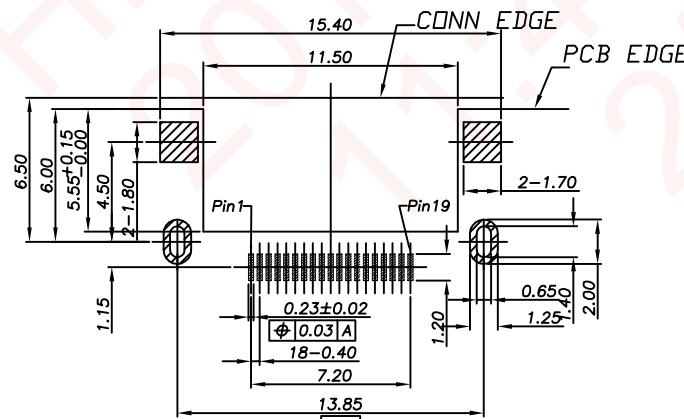
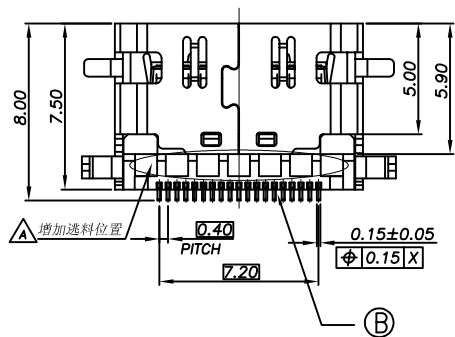
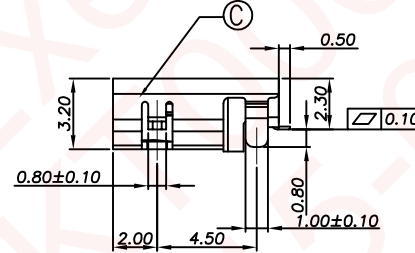
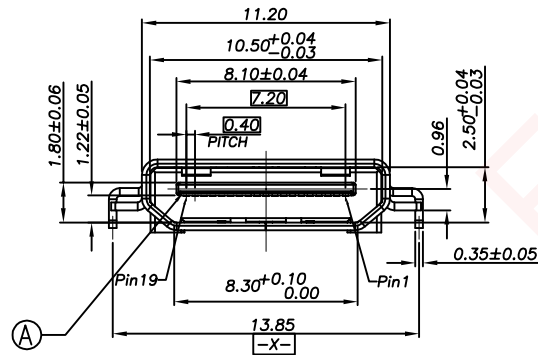
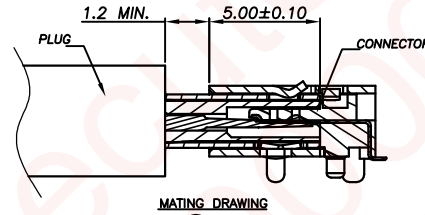
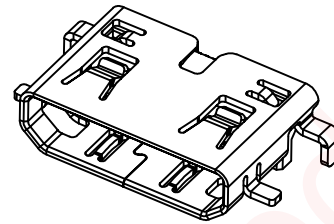
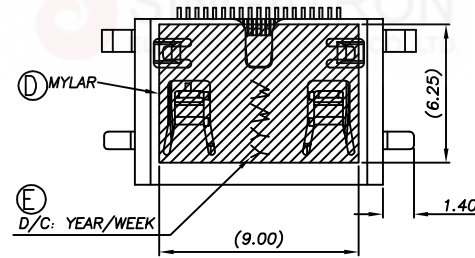
CONTACT PLATING  
1: GOLD FLASH ON CONTACT AREA,  
MATTE TIN ON SOLDER AREA

E	INK		BLACK
D	MYLAR	1	YELLOW
C	SHELL	1 C2680	NICKEL
B	CONTACT	19 C5191	SEE PART NO.
A	HOUSING	1 LCP UL 94V-0	BLACK

NO	DESCRIPTION	QTY	MATERIAL	PLATING & COLOR
UNLESS OTHERWISE SPECIFIED TOLERANCES				
		 Singatron Enterprise Co., Ltd. 信音企業股份有限公司		

DECIMALS:	ANGLES:	TITLE	HDMI C TYPE FEMALE, SMT, W/O FLANGE	
X : ±0.5	X : ±2°	DWN	NY-C 2015.07.16	<b>PART NO. 2HE1576-20011F</b>
X.X : ±0.3	X.X : ±1°	CHKD	ANGELA2015.07.16	SCALE 1:1 UNIT: mm
X.XX : ±0.2		APVD	ANGELA2015.07.16	SIZE: A3 SHEET: 1 OF 1 <b>REV: B</b>

CUSTOMER COPY



RECOMMENDED PCB LAYOUT(TOP VIEW)  
(THICKNESS=0.8±0.05mm)  
TOLERANCE = ±0.05